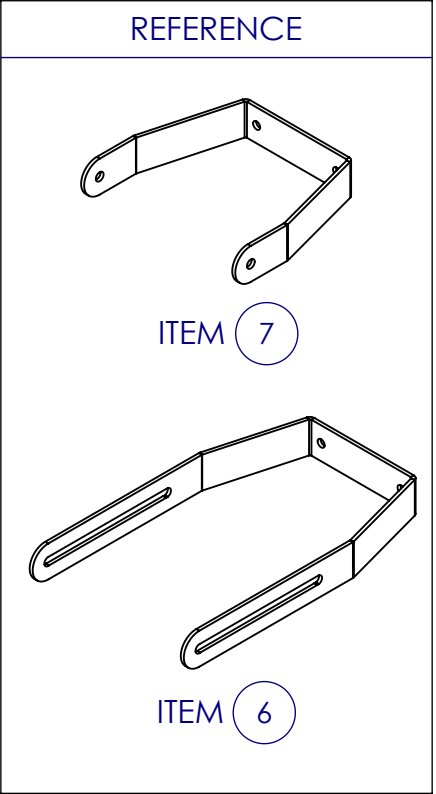
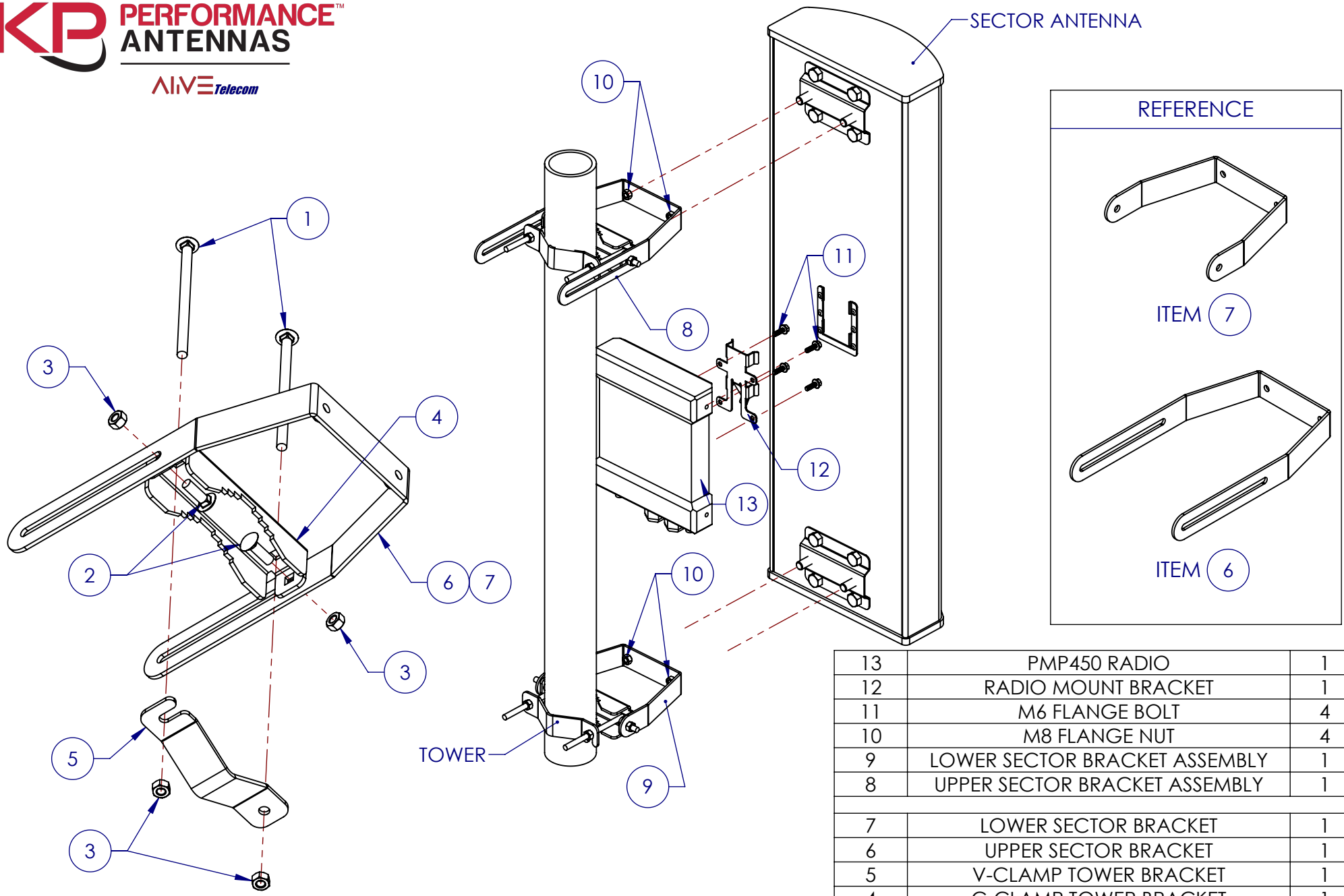


SECTOR ANTENNA & CAMBIUM PMP450 MOUNTING BRACKET DIAGRAM



13	PMP450 RADIO	1
12	RADIO MOUNT BRACKET	1
11	M6 FLANGE BOLT	4
10	M8 FLANGE NUT	4
9	LOWER SECTOR BRACKET ASSEMBLY	1
8	UPPER SECTOR BRACKET ASSEMBLY	1
7	LOWER SECTOR BRACKET	1
6	UPPER SECTOR BRACKET	1
5	V-CLAMP TOWER BRACKET	1
4	C-CLAMP TOWER BRACKET	1
3	M8 FLANGE NUT	4
2	M8 X 25 CARRIAGE BOLT	2
1	M8 X 125 CARRIAGE BOLT	2
NO.	DESCRIPTION	QTY

SECTOR BRACKET ASSEMBLY DIAGRAM
 UPPER MOUNTING BRACKET (SHOWN) USE ITEM 6
 LOWER MOUNTING BRACKET USE ITEM 7