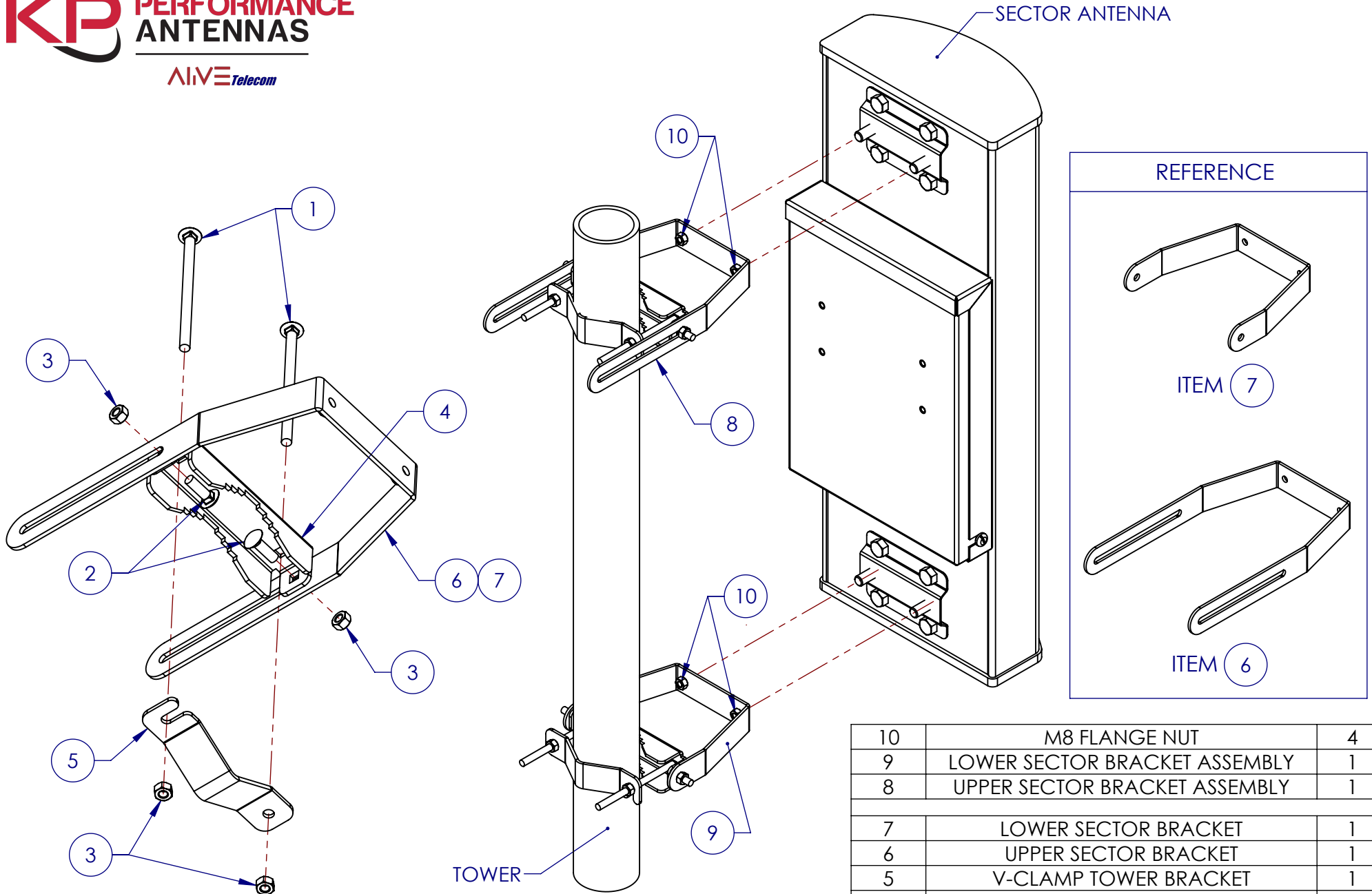


SECTOR ANTENNA MOUNTING BRACKET DIAGRAM



SECTOR BRACKET ASSEMBLY DIAGRAM
 UPPER MOUNTING BRACKET (SHOWN) USE ITEM 6
 LOWER MOUNTING BRACKET USE ITEM 7

| | | |
|------------|-------------------------------|------------|
| 10 | M8 FLANGE NUT | 4 |
| 9 | LOWER SECTOR BRACKET ASSEMBLY | 1 |
| 8 | UPPER SECTOR BRACKET ASSEMBLY | 1 |
| 7 | LOWER SECTOR BRACKET | 1 |
| 6 | UPPER SECTOR BRACKET | 1 |
| 5 | V-CLAMP TOWER BRACKET | 1 |
| 4 | C-CLAMP TOWER BRACKET | 1 |
| 3 | M8 FLANGE NUT | 4 |
| 2 | M8 X 25 CARRIAGE BOLT | 2 |
| 1 | M8 X 125 CARRIAGE BOLT | 2 |
| NO. | DESCRIPTION | QTY |