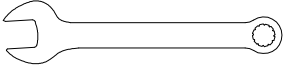
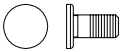
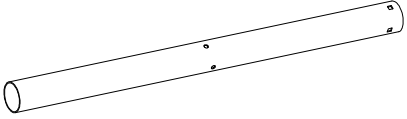
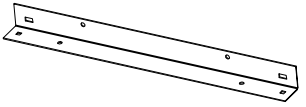

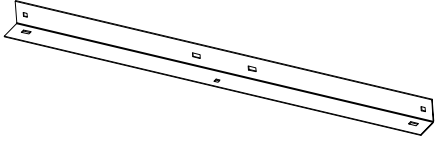
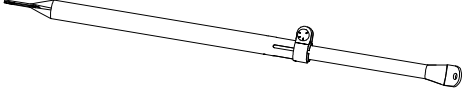

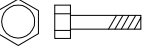
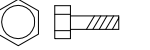



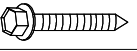
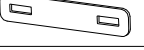



NON-PENETRATING PEAK ROOF MOUNT ASSEMBLY INSTRUCTION

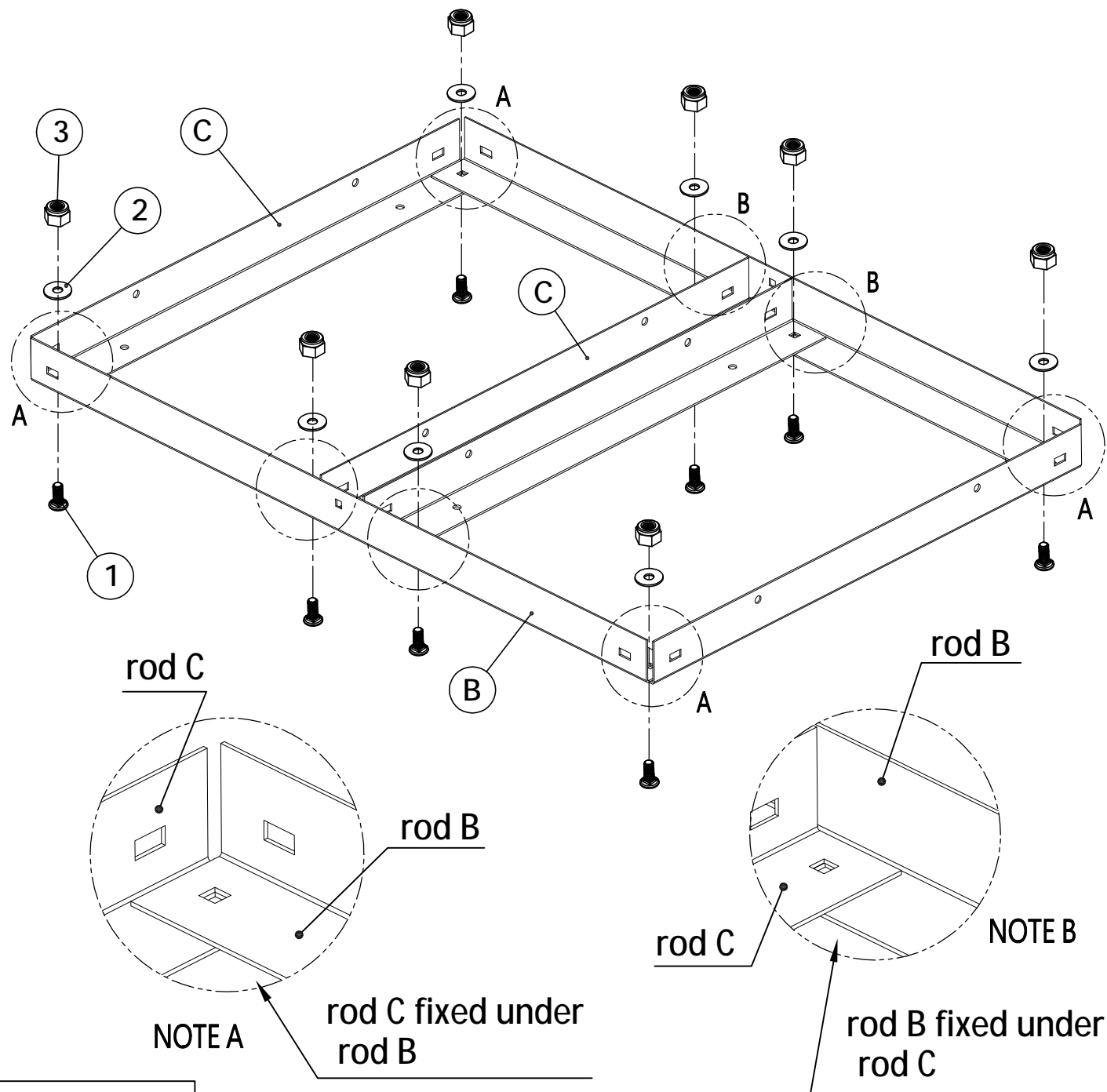
HARDWARE				TOOLS	PARTS						
NO	ITEM	DESCRIPTION	Q'TY	 13mm wrench (not included)	DESCRIPTION		Q'TY	DESCRIPTION		Q'TY	
1		5/16"-18*3/4"Round flat head Square screw	20		Mast Pole(L1500mm) (#A) 1 Mounting Base(Long) (#B) 4 Mounting Base(Short) (#C) 8 Adjustable rod (#D) 4	A			C		
2		5/16"-18 washer	34	B				D			F
3		5/16"-18 nylon nut	27								
4		5/16"-18*3-1/8" hex-head cap screw	3								
5		5/16"-18*3/4" hex-head cap screw	4								
6		5/16"-18*7/8" Round head Square screw	2								
7		5/16"-18 hex flange nut	2								
8		#12*3/4" Metal tek screw	4								
9		5/16"*3" Anchor Bolt	8								
10		Support plate	2								
11		Link Bracket	2								
10											

NON-PENETRATING PEAK ROOF MOUNT ASSEMBLY INSTRUCTION

INSTALLATION DESCRIPTION

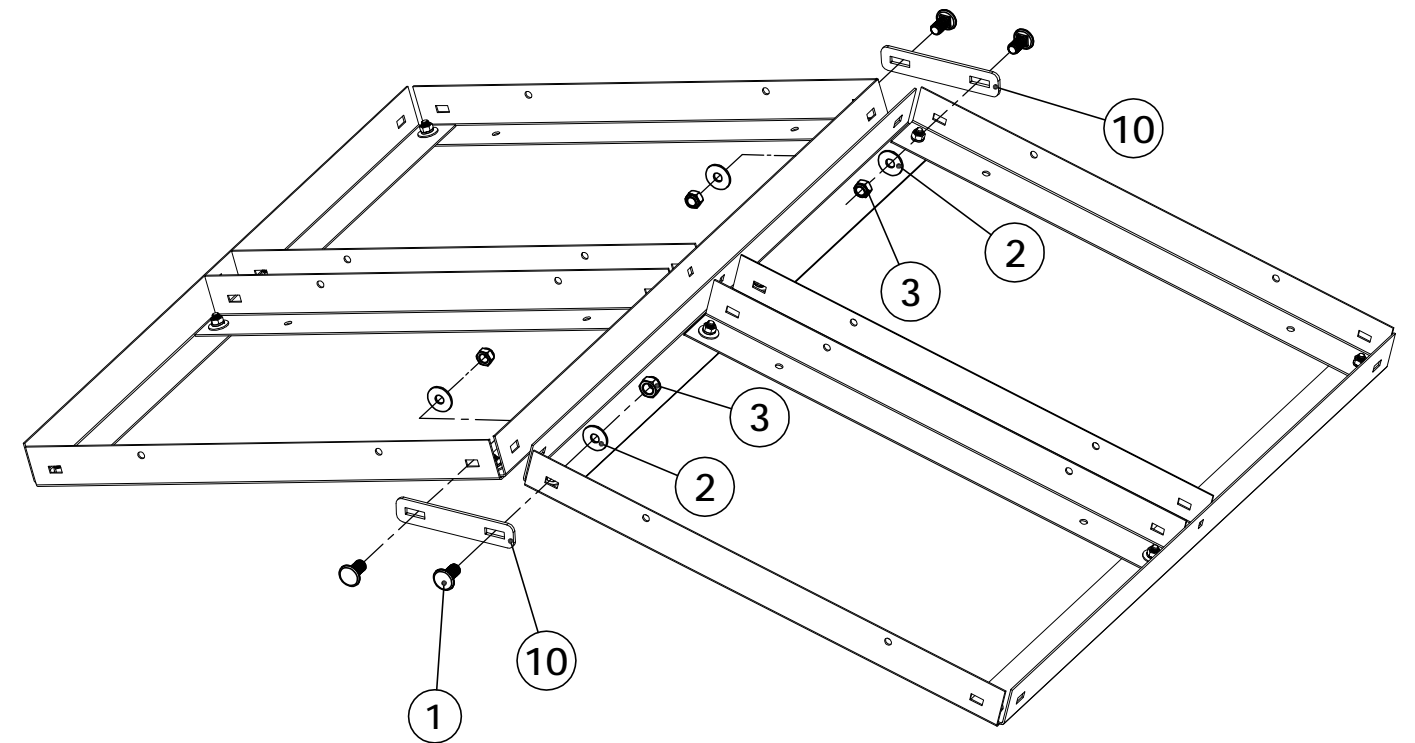
Step 1

Assemble 2 set Long mounting base (#B) and Short mounting base (#C) with screw(#1), washer(#2), nylon nut(#3)



Step 2

Assemble 2 set mount base with Support plae (#10), screw(#1), washer(#2), nylon nut(#3)

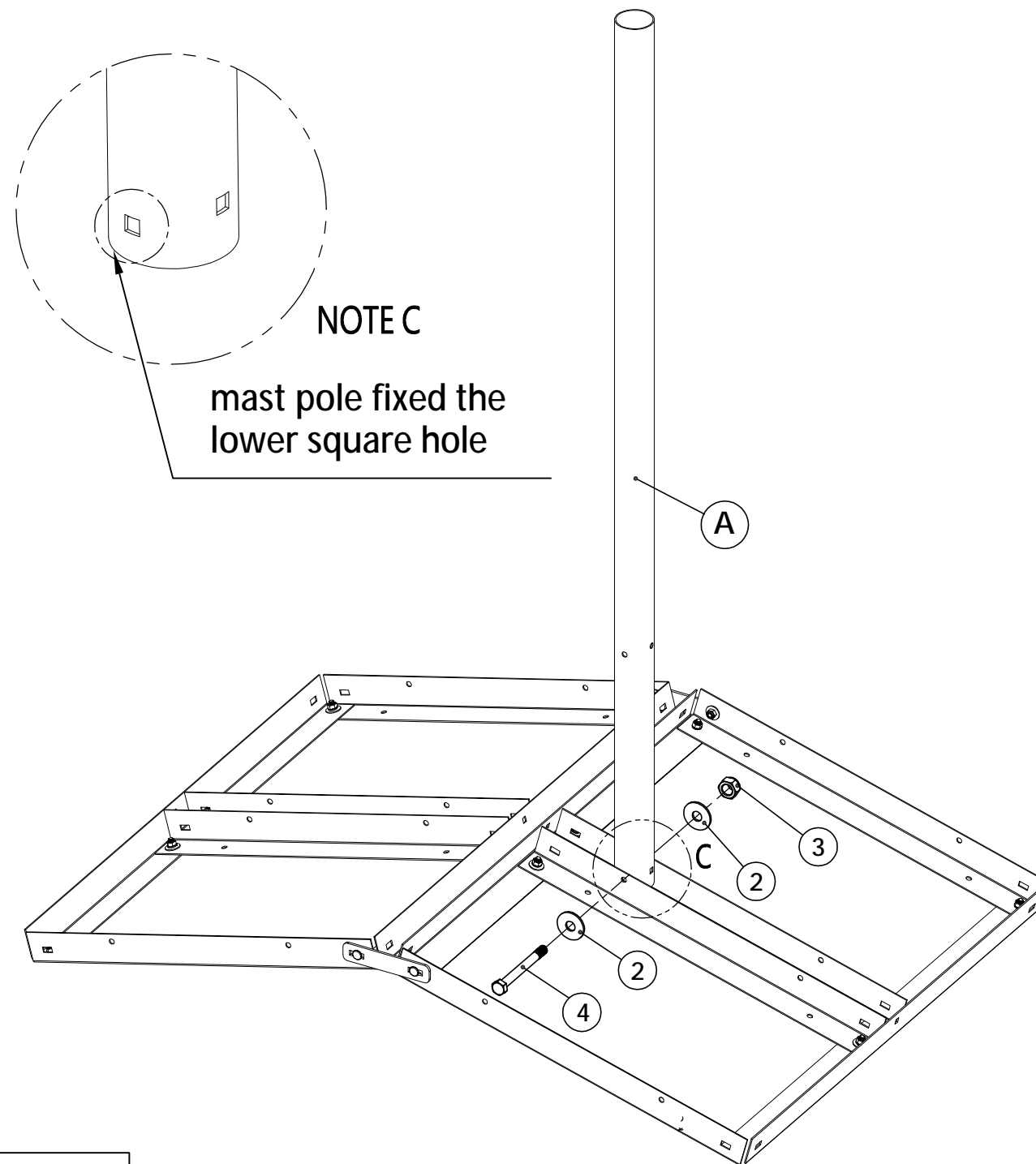


NON-PENETRATING PEAK ROOF MOUNT ASSEMBLY INSTRUCTION

INSTALLATION DESCRIPTION

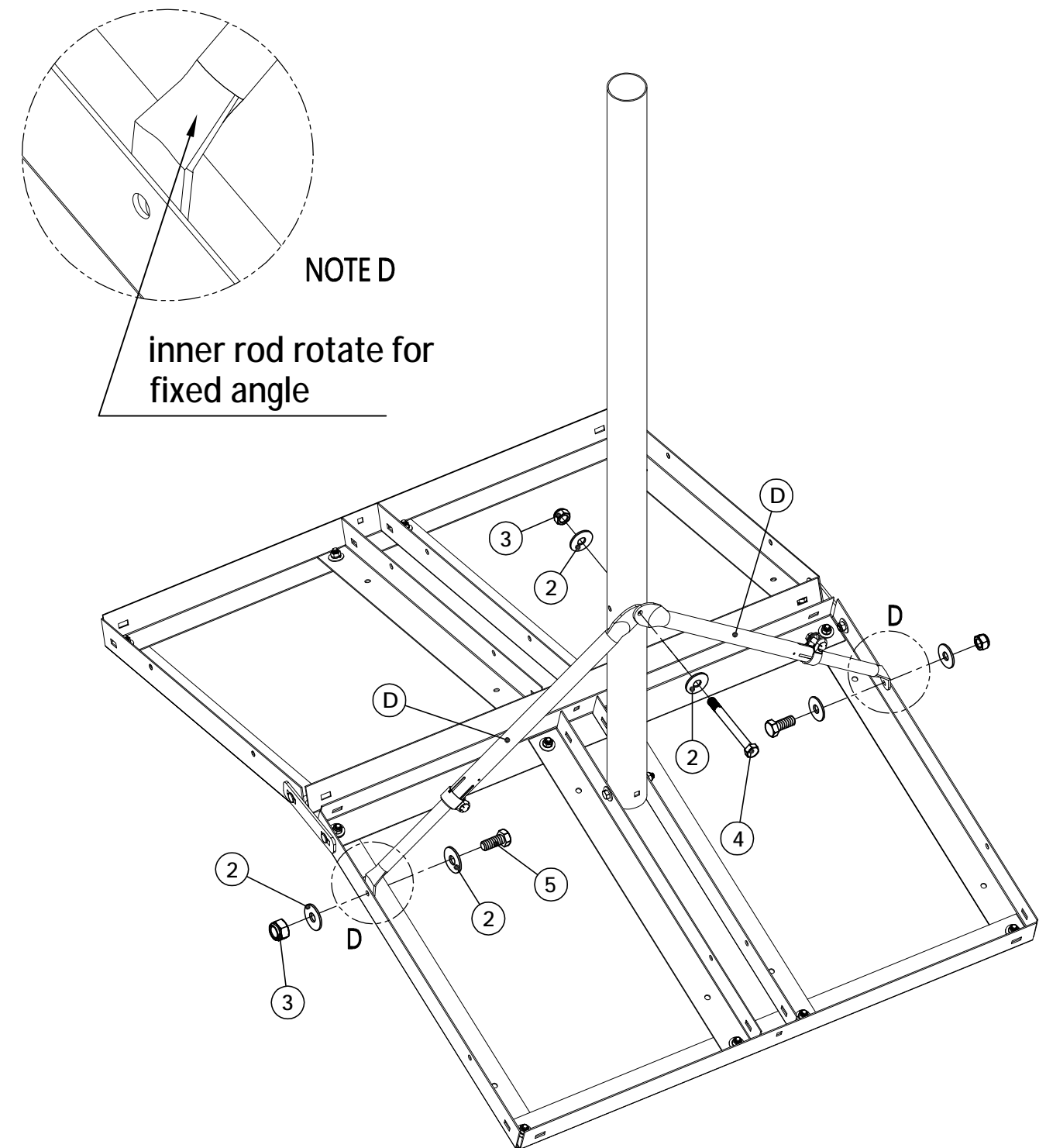
Step 3

Assemble mast pole(#A) with screw(#4), washer(#2),nylon nut(#3)



Step 4

Assemble 2 adjustable rod(#D) and mast pole and base mount with screw(#4), screw(#5),washer(#2),nylon nut(#3)



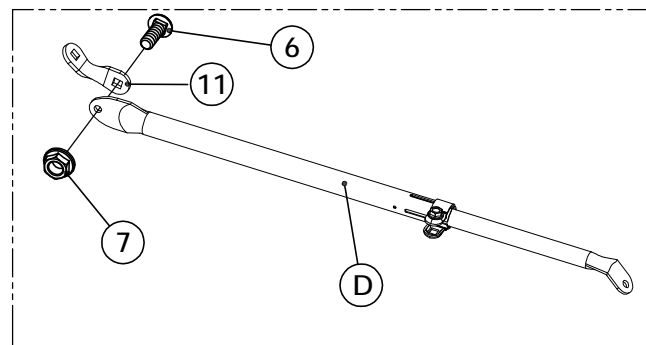
NON-PENETRATING PEAK ROOF MOUNT ASSEMBLY INSTRUCTION

INSTALLATION DESCRIPTION

Step 5

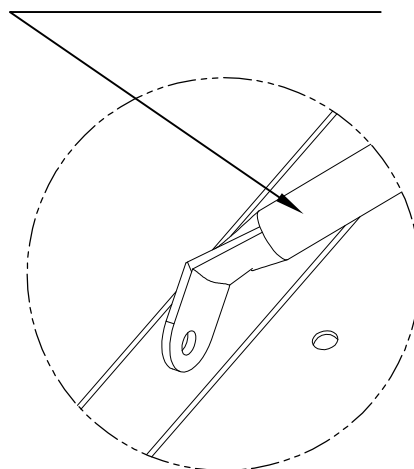
Assemble 2 adjustable rod(#D) and mast pole and base mount with screw(#4), screw(#5), washer(#2), nylon nut(#3)

Pre-assembly adjustable rod(#D) and link bracket(#11) with screw(#6), flange nut(#7)

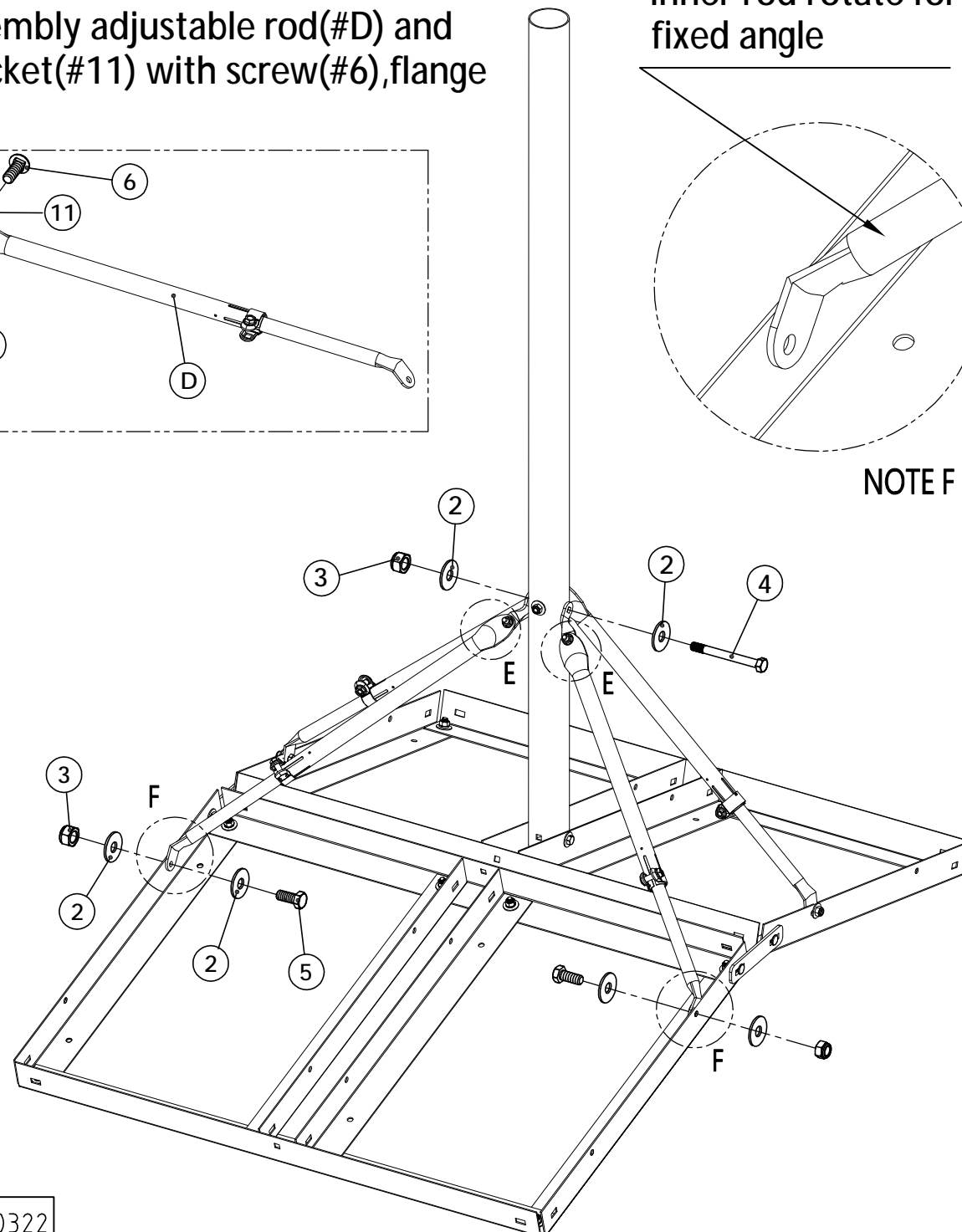


NOTE E

inner rod rotate for fixed angle

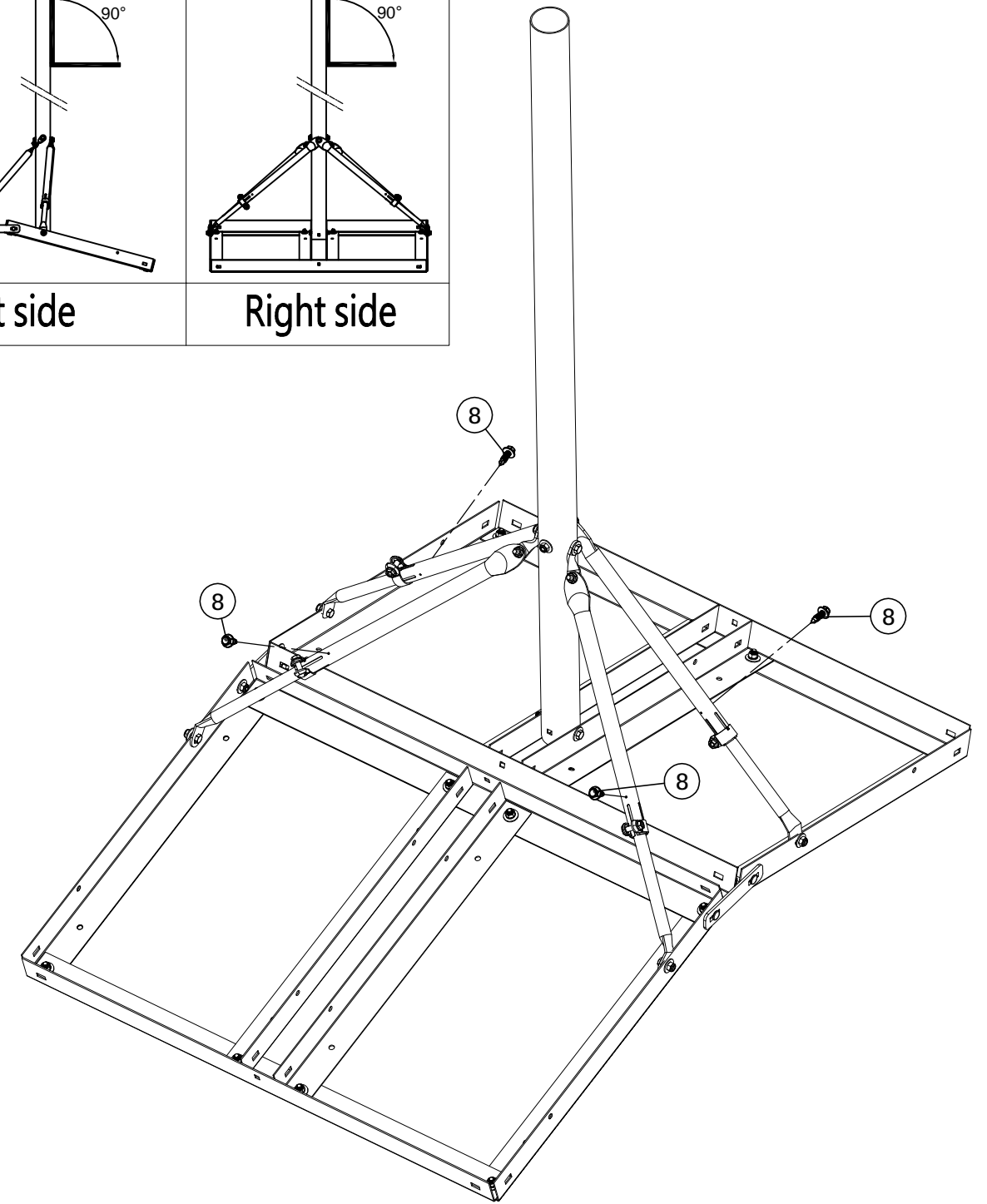
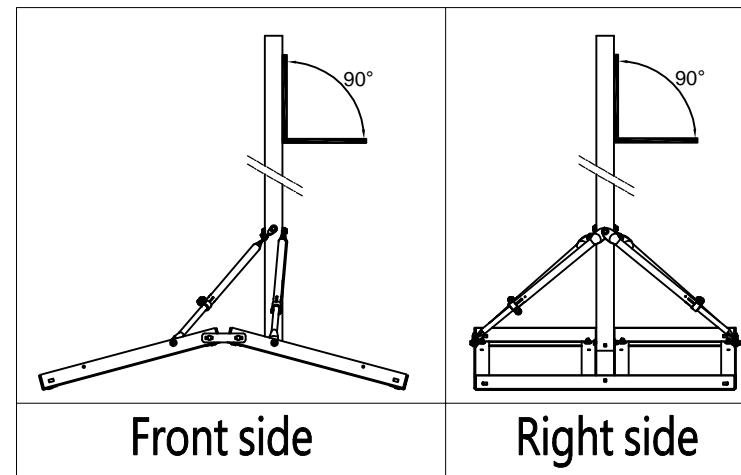


NOTE F



Step 6

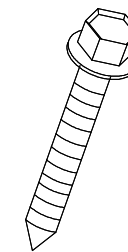
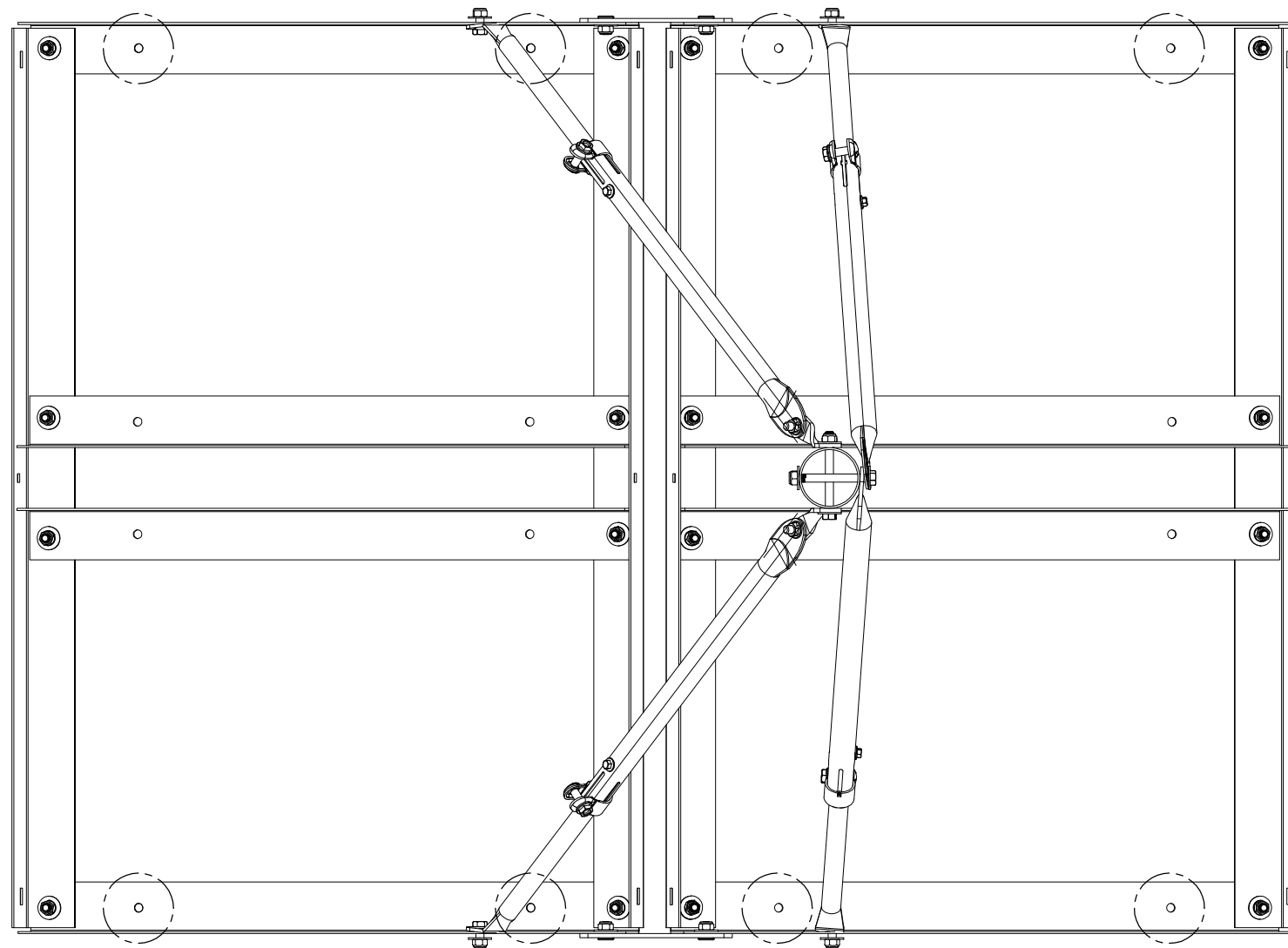
Adjust pole angle to 90 degree and tighten all screw, then fixed metal tek screw(#8) finally



NON-PENETRATING PEAK ROOF MOUNT ASSEMBLY INSTRUCTION

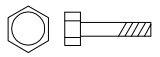
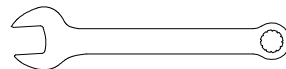

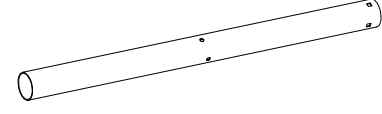
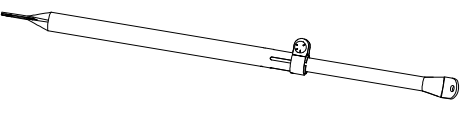

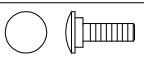
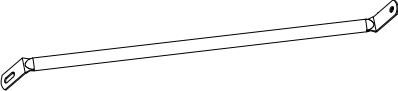
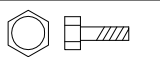

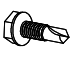
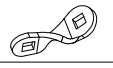
INSTALLATION DESCRIPTION

Penetrating hardware option:
For directly mounting using hardware(#9),
place appropriately rated hardware, at the
locations circled in diagram.



5/16"*3" Anchor Bolt(#9)

NON- PENETRATING PEAK ROOF MOUNT WITH OPTIONAL ARM ASSEMBLY INSTRUCTION

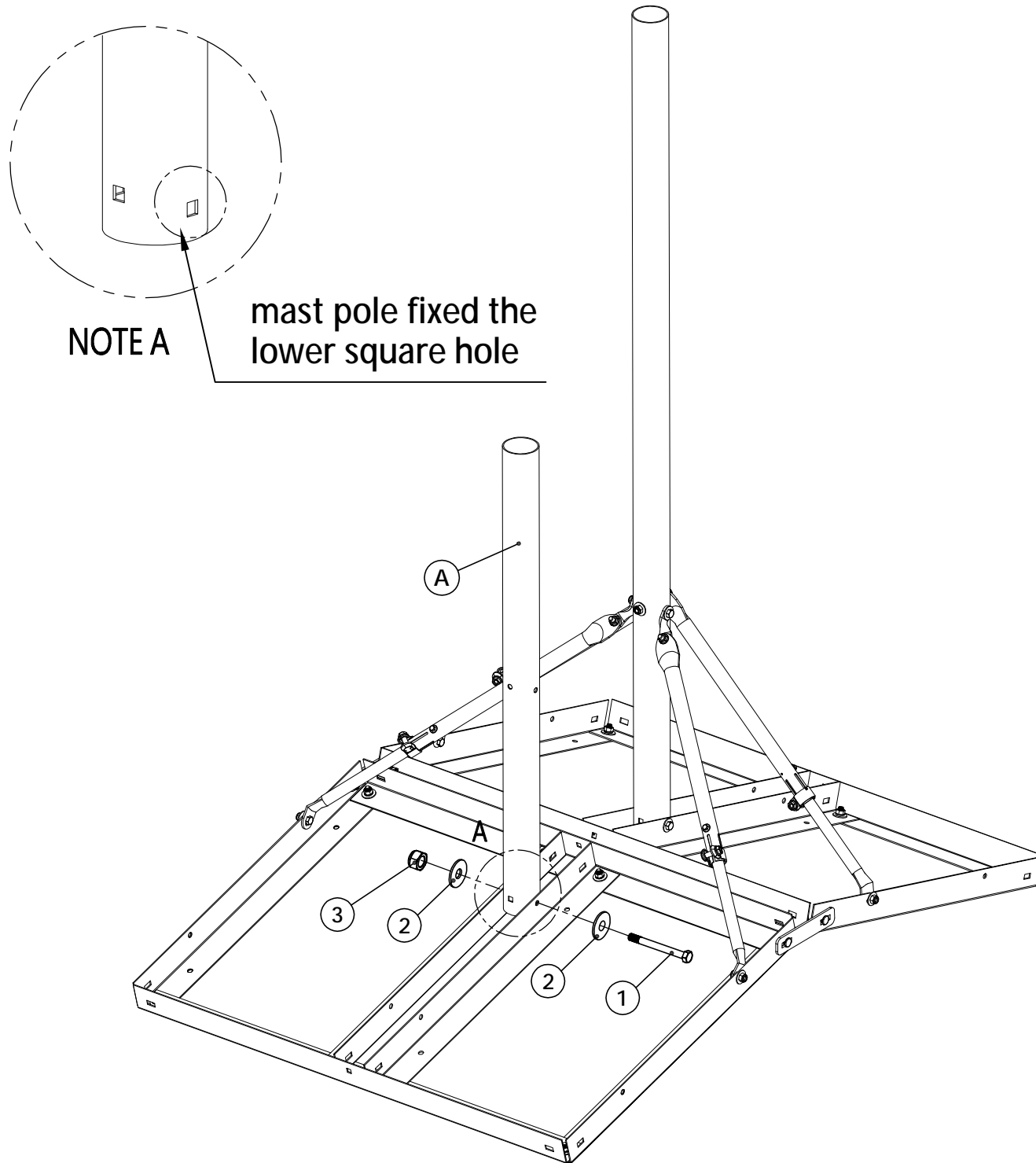
HARDWARE				TOOLS	PARTS						
NO	ITEM	DESCRIPTION	Q'TY		DESCRIPTION	Q'TY	DESCRIPTION	Q'TY	DESCRIPTION	Q'TY	
1		5/16"-18*3-1/8" hex-head cap screw	3	 13mm wrench (not included)	DESCRIPTION Q'TY Mast Pole(L850mm) (#A) 1		DESCRIPTION Q'TY Adjustable rod (#C) 1				
2		5/16"-18 washer	8		A			C			E
3		5/16"-18 nylon nut	4		DESCRIPTION Q'TY Supporting rod (#B) 2						
4		5/16"-18*7/8" Round head Square screw	1		B			D			F
5		5/16"-18*3/4" hex-head cap screw	1								
6		5/16"-18 hex flange nut	1								
7		#12*3/4" Metal tek screw	1								
8		Link bracket	1								
9											
10											

NON-PENETRATING PEAK ROOF MOUNT WITH OPTIONAL ARM ASSEMBLY INSTRUCTION

INSTALLATION DESCRIPTION

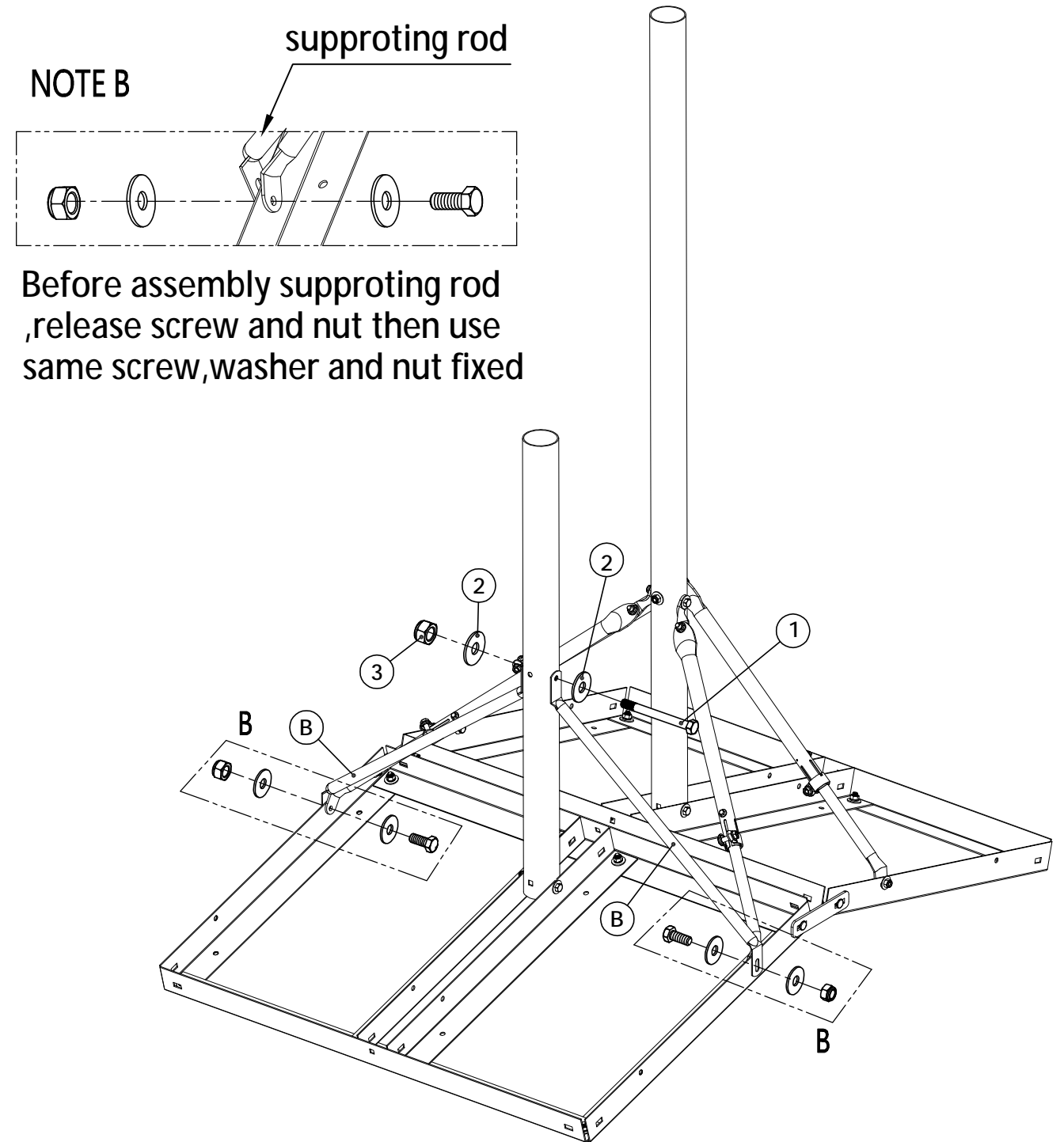
Step 1

Assemble mast pole(#A) with screw(#1), washer(#2),nylon nut(#3)



Step 2

Assemble 2 supporting rods(#B) with screw(#1), washer(#2),nylon nut(#3)



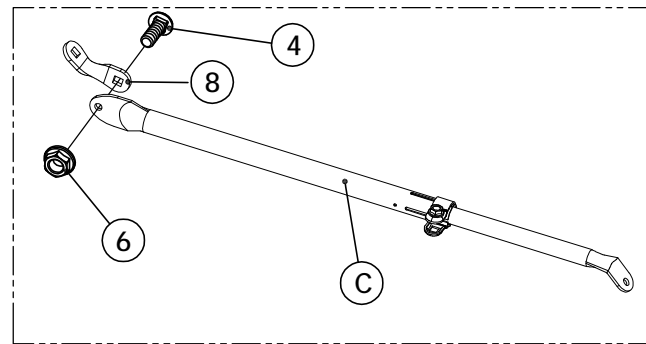
NON-PENETRATING PEAK ROOF MOUNT WITH OPTIONAL ARM ASSEMBLY INSTRUCTION

INSTALLATION DESCRIPTION

Step 3

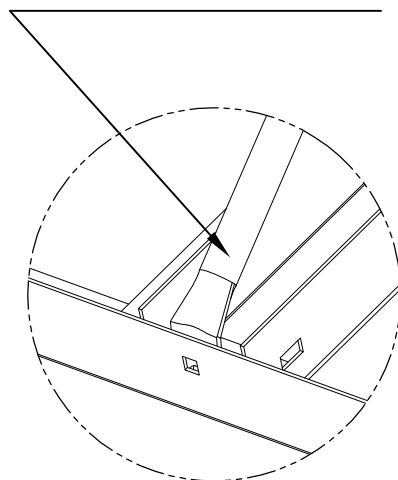
Assemble Adjustable rod(#C) with screw(#1), screw(#5), washer(#2), nylon nut(#3)

Pre-assembly adjustable rod(#C) and link bracket(#8) with screw(#4), flange nut(#6)

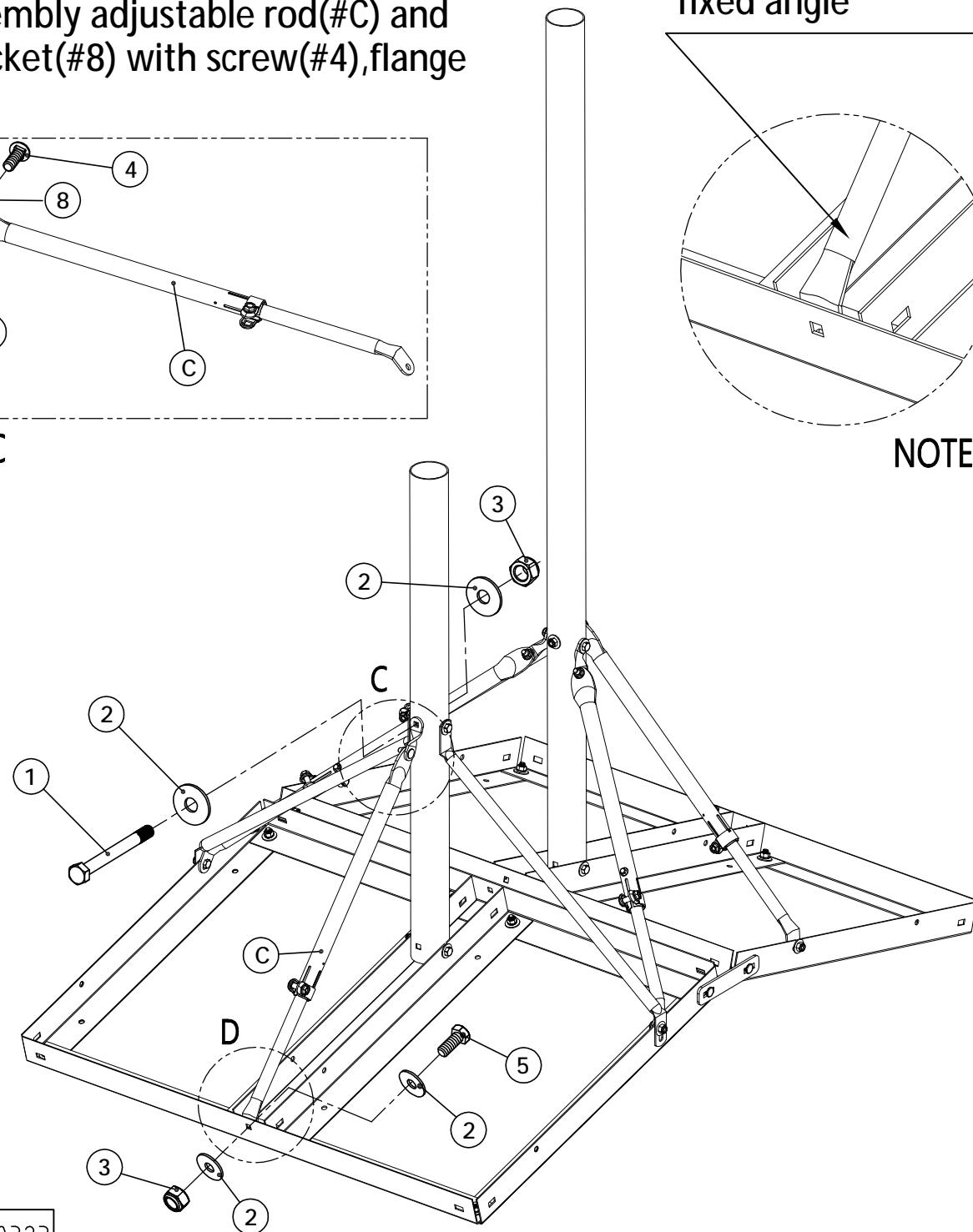


NOTE C

inner rod rotate for fixed angle

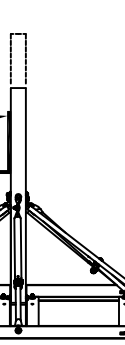
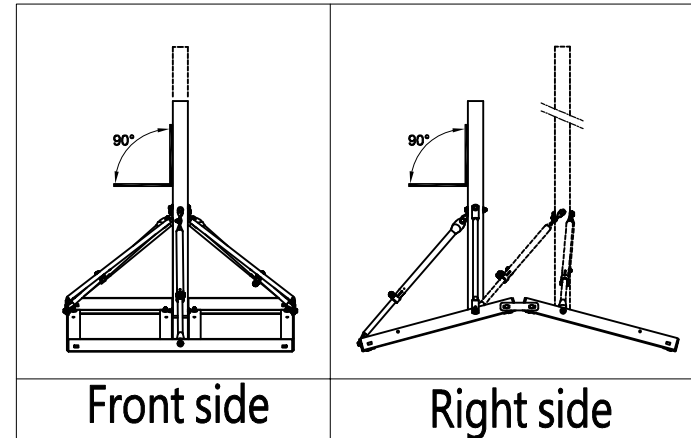


NOTE D

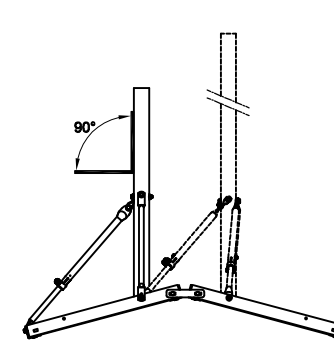


Step 4

Adjust pole angel to 90 degree and tighten all screw, then fixed metal tek screw(#7) finally



Front side



Right side

