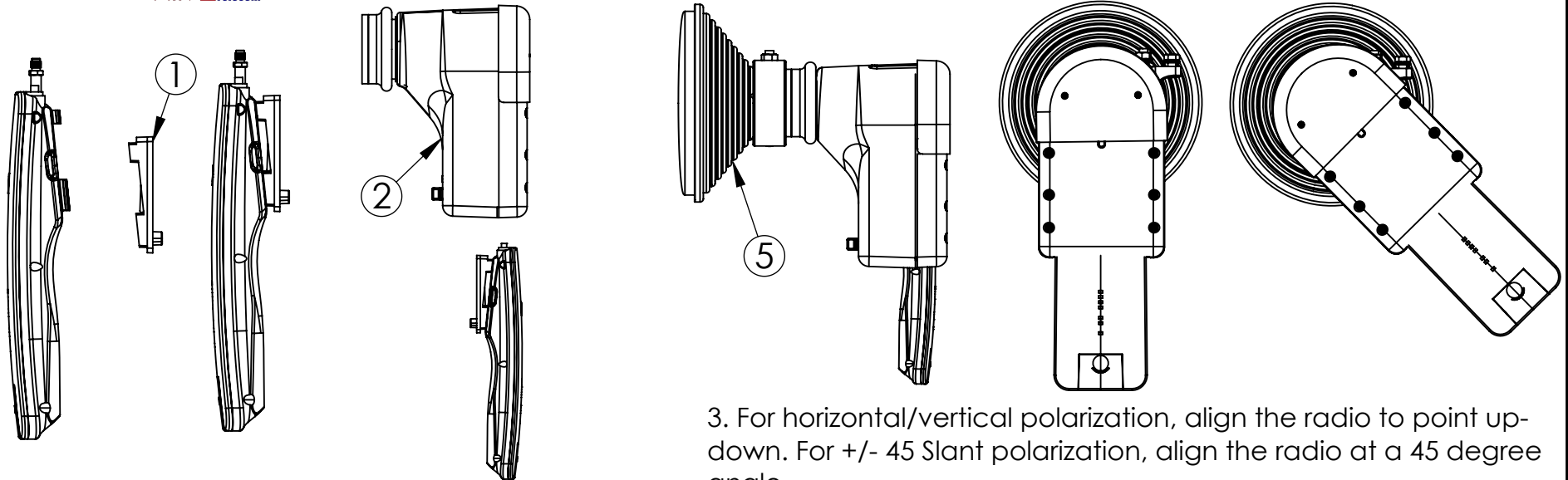


KP-5PDA-URPG2 INSTALL SHEET

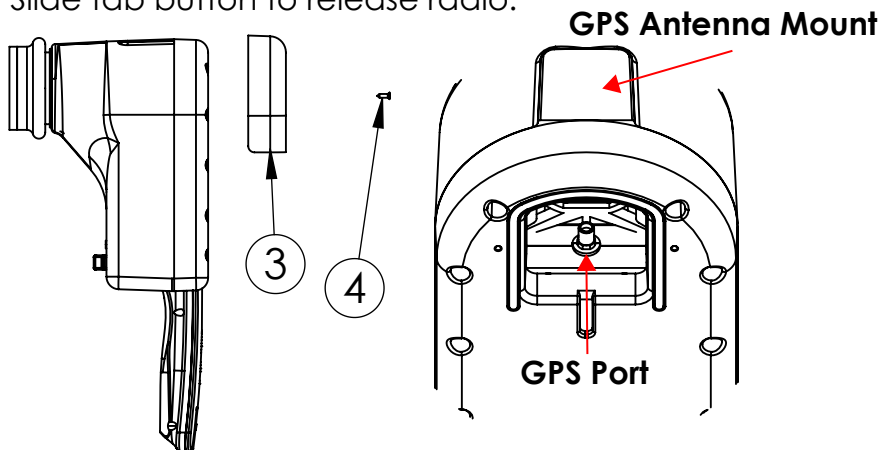
Horizontal/Vertical Polarization

+/- 45 Slant Polarization

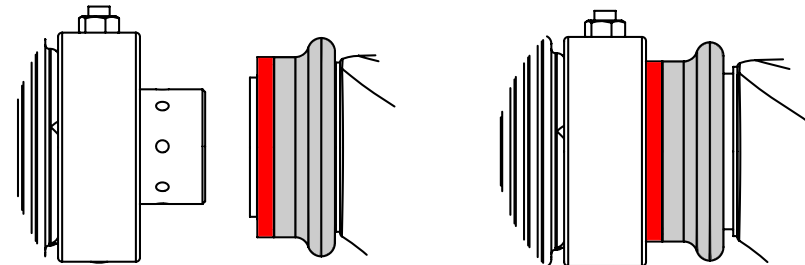


3. For horizontal/vertical polarization, align the radio to point up-down. For +/- 45 Slant polarization, align the radio at a 45 degree angle.

1. Attach radio sled to the Ubiquiti Rocket Prism Gen 2 Radio. Push radio into the adapter to lock into place. Slide tab button to release radio.



2. Remove GPS port cover. Attach GPS antenna's SMA cable to the center port. Reattach GPS port cover.



4. Pull back collar on Quick-Connect Waveguide Coupler. Slide adapter over feed assembly. Release collar to lock into place.

NO.	Description	QTY
1	Radio Sled	1
2	KP-5PDA-URPG2	1
3	GPS Cover	1
4	M4 x 8MM Flat Head Screw	2
5	ProLine 5GHz Horn or Parabolic Antenna	1