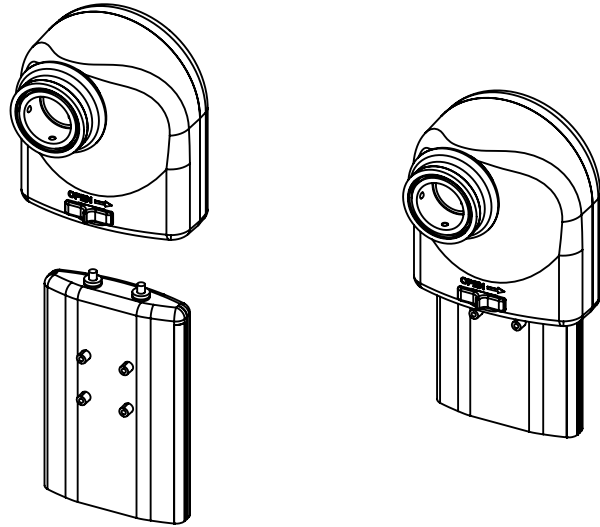
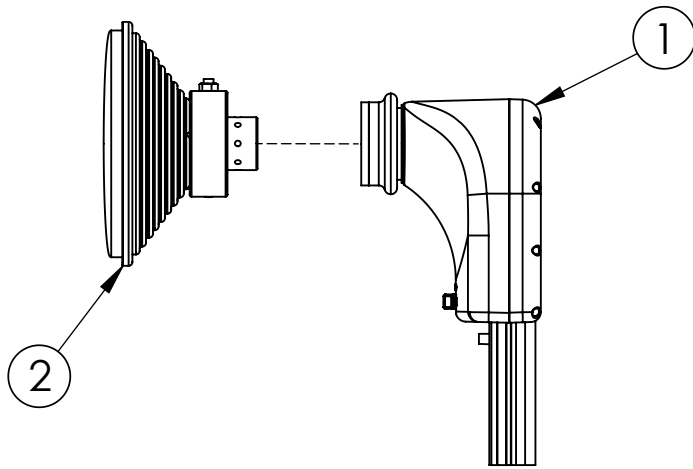


KP-5PDA-R5ACL INSTALL SHEET

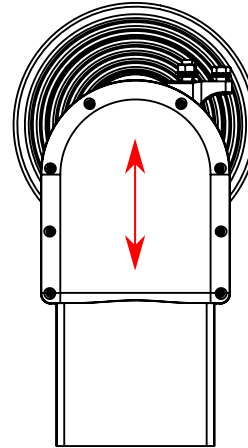


1. Push Ubiquiti Rocket 5AC-Lite radio into the adapter until it locks into place. Slide tab on adapter to release the radio.

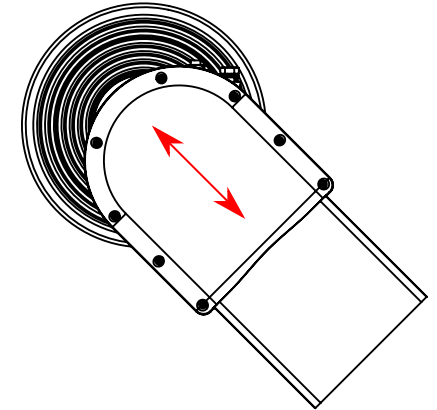


2. Align assembled radio adapter with feed assembly's input waveguide.

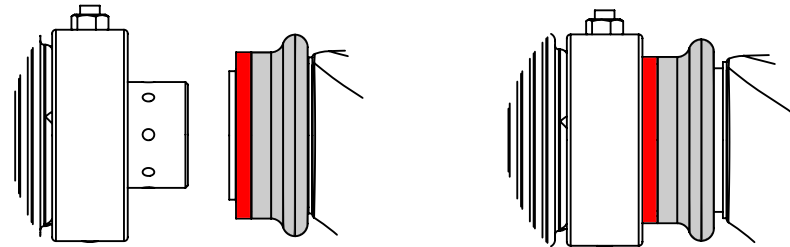
Horizontal/Vertical Polarization



+/- 45 Slant Polarization



3. For horizontal/vertical polarization, align the radio to point up-down. For +/- 45 Slant polarization, align the radio at a 45 degree angle.



4. Pull back collar on Quick-Connect Waveguide Coupler. Slide adapter over feed assembly. Release collar to lock into place.

NO.	Description	QTY
1	KP-5PDA-R5ACL	1
2	ProLine 5GHz Horn or Parabolic Antenna	1