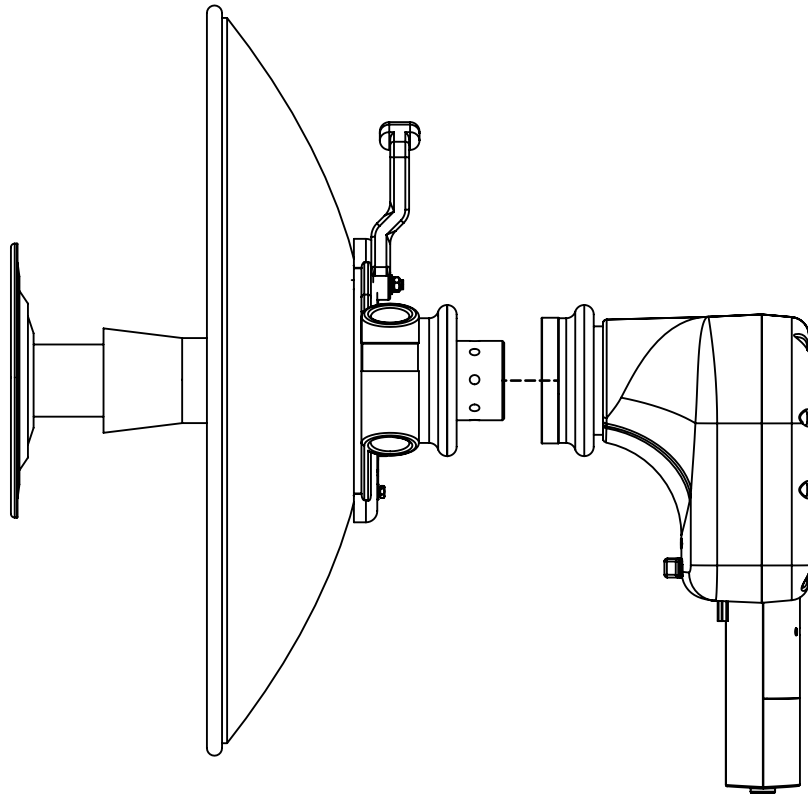
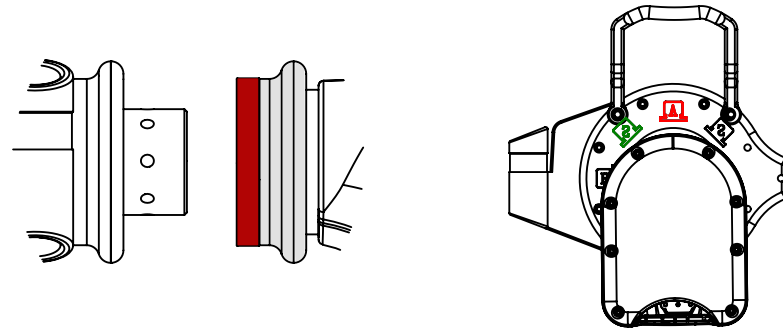


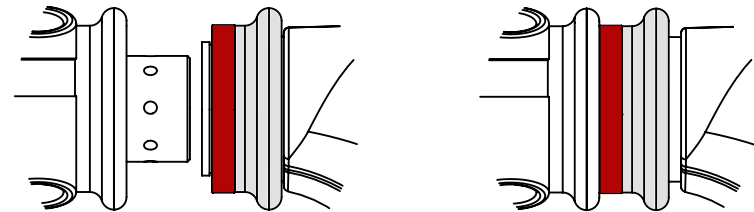
KP-5PDA-C5C INSTALL SHEET



\*KP-5PD-1 shown above

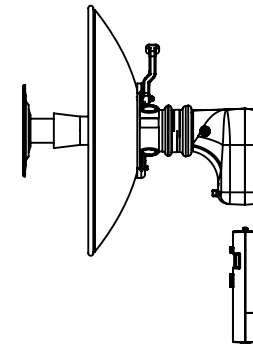


Align adapter with feed assembly's input waveguide. Rotate adapter such that the radio is aligned with the **V** (Horizontal/Vertical) or **S** (+/-45 Slant) indicators on the back of the antenna.



Pull back collar on Quick-Connect Waveguide Coupler. Slide adapter over feed assembly.

Push C5C radio into adapter.



NO.	DESCRIPTION	QTY
1	KP-5PDA-C5C	1
2	KP-5PD-1 / KP-5PD-2	1