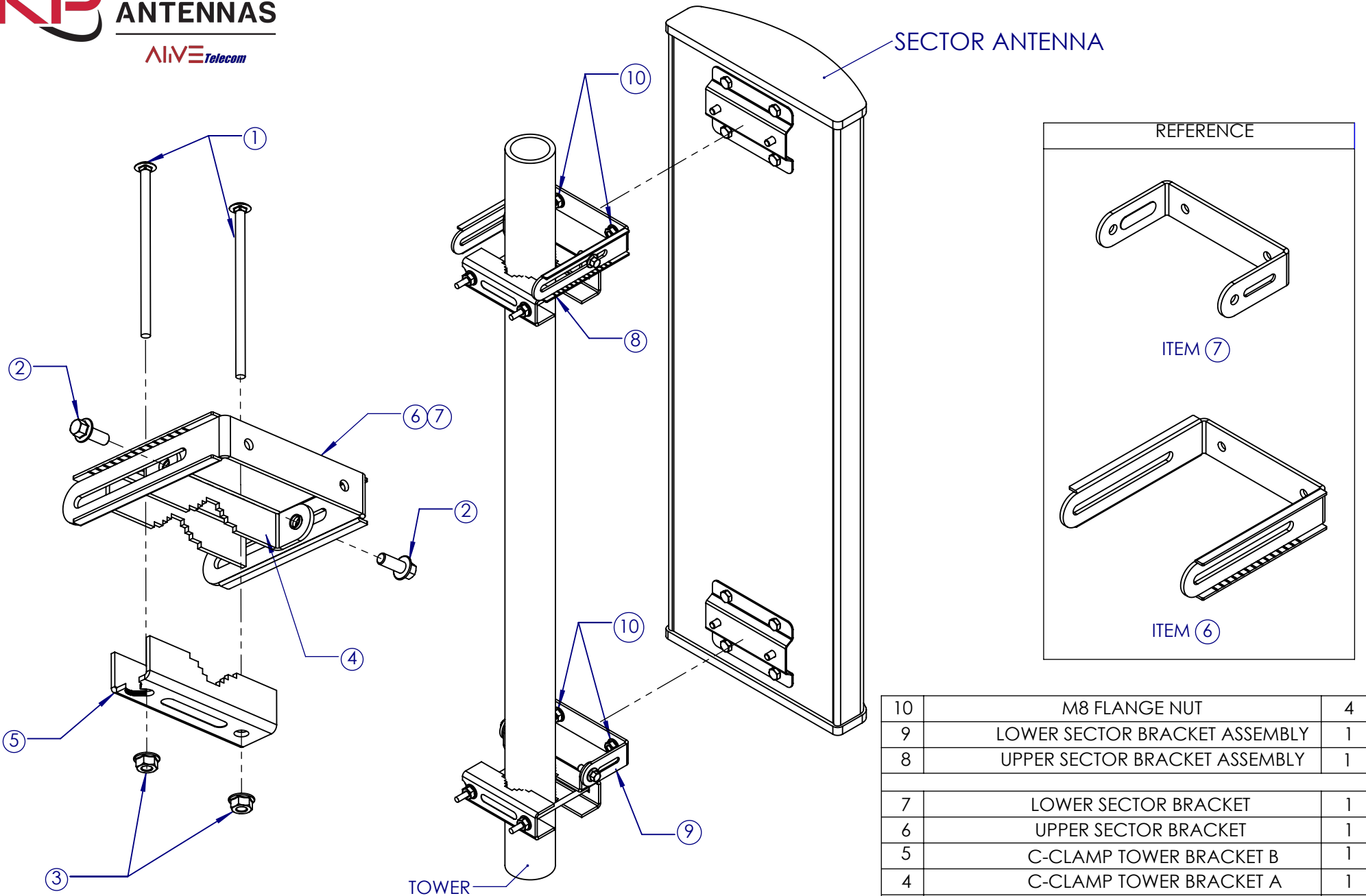


# SECTOR ANTENNA MOUNTING BRACKET DIAGRAM



**SECTOR BRACKET ASSEMBLY DIAGRAM**  
 UPPER MOUNTING BRACKET (SHOWN) USE ITEM 6  
 LOWER MOUNTING BRACKET USE ITEM 7

NO.	DESCRIPTION	QTY
10	M8 FLANGE NUT	4
9	LOWER SECTOR BRACKET ASSEMBLY	1
8	UPPER SECTOR BRACKET ASSEMBLY	1
7	LOWER SECTOR BRACKET	1
6	UPPER SECTOR BRACKET	1
5	C-CLAMP TOWER BRACKET B	1
4	C-CLAMP TOWER BRACKET A	1
3	M8 FLANGE NUT	2
2	M8 x 16mm FLANGE SCREW	2
1	M8 x 110mm CARRIAGE BOLT	2