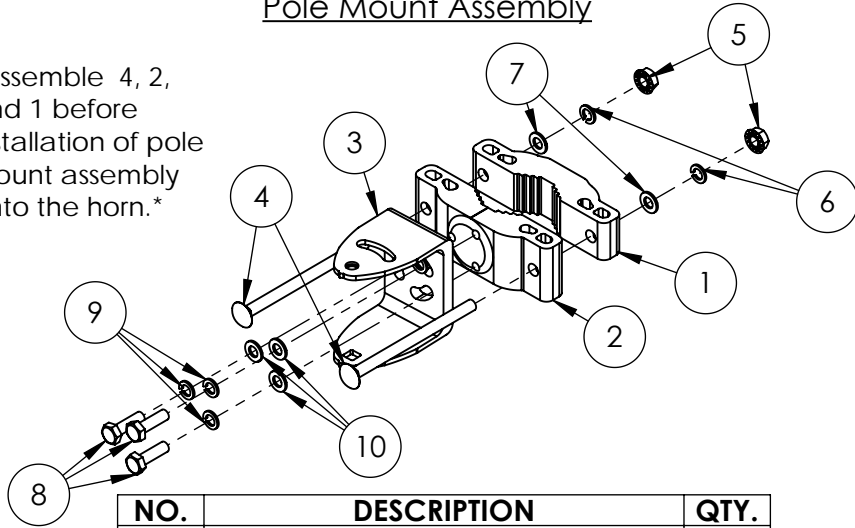
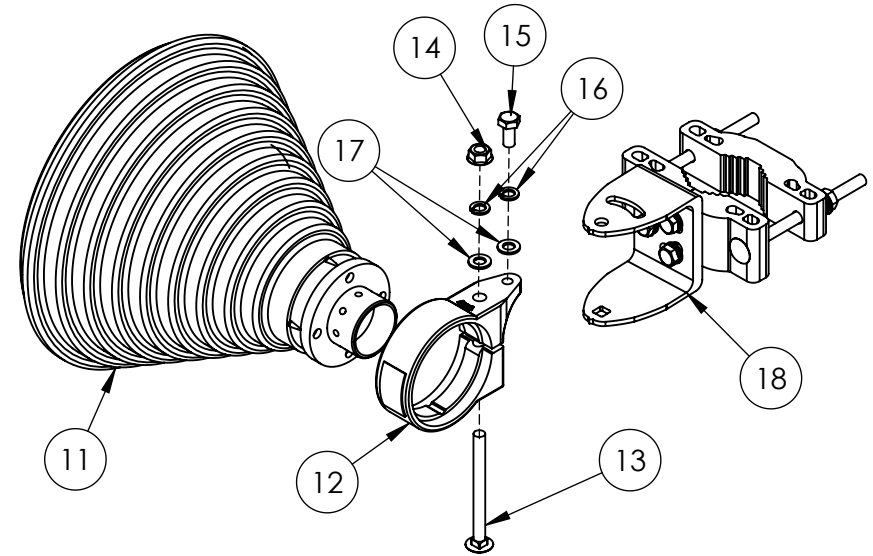


Pole Mount Assembly

\*Assemble 4, 2, and 1 before installation of pole mount assembly onto the horn.\*



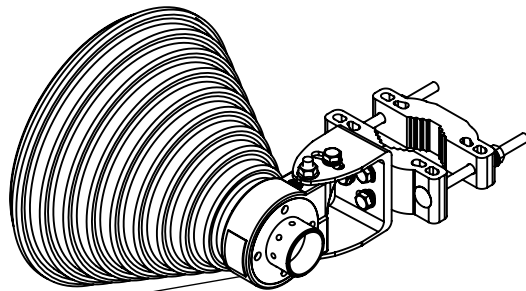
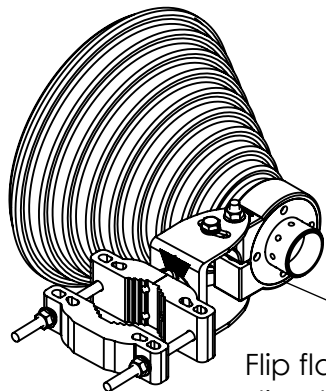
NO.	DESCRIPTION	QTY.
1	PIPE BRACKET B	1
2	PIPE BRACKET A	1
3	ELEVATION TILT BRACKET	1
4	3/8-16x5 CARRIAGE BOLT	2
5	3/8 FLANGE NUT	2
6	3/8 LOCK WASHER	2
7	3/8 FLAT WASHER	2
8	5/16-18x1 HEX BOLT	3
9	5/16 LOCK WASHER	3
10	5/16 FLAT WASHER	3



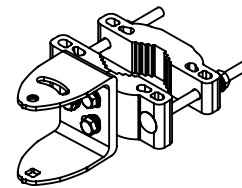
NO.	DESCRIPTION	QTY.
11	HORN ASSEMBLY	1
12	FLANGE MOUNT	1
13	5/16X3.5 CARRIAGE BOLT	1
14	5/16-18 FLANGE NUT	1
15	5/16-18X1 HEX BOLT	1
16	5/16 LOCK WASHER	2
17	5/16 FLAT WASHER	2
18	POLE MOUNT ASSEMBLY	1

Left-Side Pole Mount

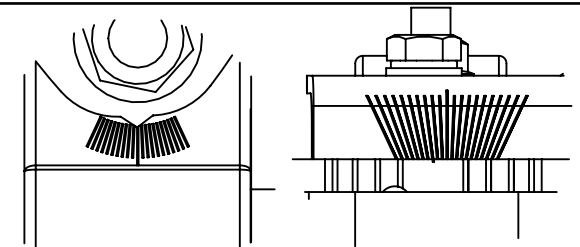
Right-Side Pole Mount



Flip flange mount to change mounting direction. Drain hole must point down.



Pole Diameter  
0.8" - 3.6"



Fine Angle Az/EI Tilt Markings: 2.5°  
Fine Angle Az/EI Tilt Range: ±25°

Additional Instructions

Recommended Torque Rating: 25 Nm  
Instructions to install adapters is found in separate install sheet.  
Go to [www.kppformance.com](http://www.kppformance.com) for additional information.