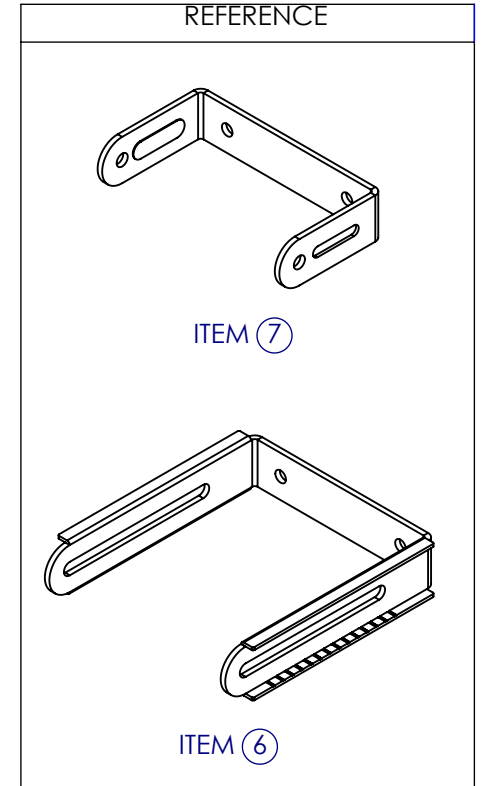
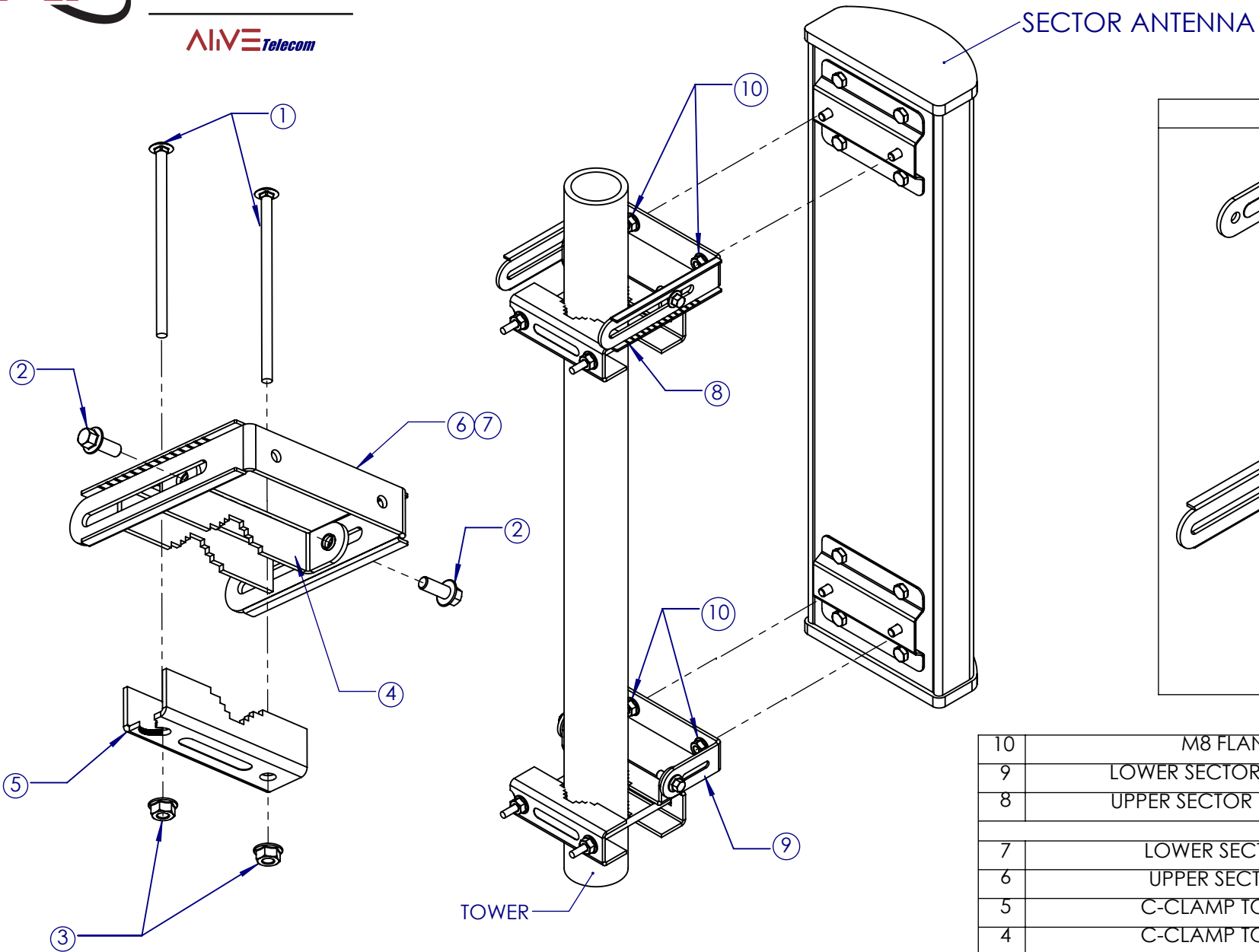


# SECTOR ANTENNA MOUNTING BRACKET DIAGRAM



|     |                               |     |
|-----|-------------------------------|-----|
| 10  | M8 FLANGE NUT                 | 4   |
| 9   | LOWER SECTOR BRACKET ASSEMBLY | 1   |
| 8   | UPPER SECTOR BRACKET ASSEMBLY | 1   |
| 7   | LOWER SECTOR BRACKET          | 1   |
| 6   | UPPER SECTOR BRACKET          | 1   |
| 5   | C-CLAMP TOWER BRACKET B       | 1   |
| 4   | C-CLAMP TOWER BRACKET A       | 1   |
| 3   | M8 FLANGE NUT                 | 2   |
| 2   | M8 x 25mm CARRIAGE BOLT       | 2   |
| 1   | M8 x 125mm CARRIAGE BOLT      | 2   |
| NO. | DESCRIPTION                   | QTY |

SECTOR BRACKET ASSEMBLY DIAGRAM  
 UPPER MOUNTING BRACKET (SHOWN) USE ITEM 6  
 LOWER MOUNTING BRACKET USE ITEM 7