

2400-2500, 5150-7125 MHz Wi-Fi 6E Omni MIMO Antenna, 4 dBi Gain, 4 RP SMA Male Connectors

KPANOM1059



Features

- Reverse Polarity SMA (RP-SMA) Male Connector
- 4 x Vertical Polarization
- 4x4 MIMO Functionality
- Outdoor Rated Omnidirectional Antenna
- 2.4 GHz, 5 GHz, 6 GHz Wi-Fi Bands
- 6 dBi gain

Applications

- Infotainment systems, Routers, Wi-Fi hotspots, HD video transmission, Gateways, Dash cameras, Public transportation
- Connected cars or self-driving cars, Fleet management, Logistics
- Public Safety Networks
- Zigbee, Bluetooth, Wi-Fi

Description

The KPANOM1059 Wi-Fi 6e Omni Antenna from KP Performance is a high performance omnidirectional antenna designed for the 2400 MHz to 7125 MHz bands and is available to ship same day. It is a UV protected, outdoor rated antenna with omni-directional pattern. The KPANOM1059 is ideally suited for 802.11 protocols including 802.11ax as well as Zigbee, Bluetooth and is 4x4 MIMO capable.

The KP Performance high performance omni KPANOM1059 is a rugged antenna providing broad coverage, low latency, increased network capacity and 6 dBi gain. This 4 port RPSMA Male omnidirectional antenna is suitable for commercial radios and access points in public and private networks that are equipped with Reverse Polarity SMA Type connectors.

This Wi-Fi 6e KPANOM1059 omni antenna with 4 RPSMA Male connectors, as well as our wide selection of superior quality RF parts, ships same day. Contact our knowledgeable and friendly technical support and sales staff for your answers on antennas or other KP Performance products.

Configuration

Design	Omni
Application Band	Wi-Fi 6E
Band Type	Dual
Radiation Pattern	Omni Directional
Polarization	Vertical
Cable Type	RG58/U
Cable Length	36 in [914.4 mm]
Connector Type	SMA Male Reverse Polarity
Number of Ports	4

Electrical Specifications

Description	Minimum	Typical	Maximum	Units
Frequency Range	2,400		7,125	MHz
Input VSWR			2:1	
Impedance		50		Ohms
Input Power			50	Watts

Click the following link (or enter part number in "SEARCH" on website) to obtain additional part information including price, inventory and certifications:
[2400-2500, 5150-7125 MHz Wi-Fi 6E Omni MIMO Antenna, 4 dBi Gain, 4 RP SMA Male Connectors KPANOM1059](#)

2400-2500, 5150-7125 MHz Wi-Fi 6E Omni MIMO Antenna, 4 dBi Gain, 4 RP SMA Male Connectors



KPANOM1059

Specifications by Band

Description	Band 1	Band 2	Band 3	Band 4	Band 5	Units
Range	2.4 to 2.5	5.15 to 7.125				GHz
Gain	4	6				dBi
Horizontal HPBW	360	360				Degrees
Vertical HPBW	55	35				Degrees

Mechanical Specifications

Radome Material	UV Resistant ABS
Size	
Length	3 in [76.2 mm]
Width	5.7 in [144.78 mm]
Height	5.7 in [144.78 mm]
Weight	26 lbs [11.79 kg]
Color	White

Environmental Specifications

Temperature	
Operating Range	-40 to +70 deg C
Humidity	5 to 95

Plotted and Other Data

Notes:

Click the following link (or enter part number in "SEARCH" on website) to obtain additional part information including price, inventory and certifications:
[2400-2500, 5150-7125 MHz Wi-Fi 6E Omni MIMO Antenna, 4 dBi Gain, 4 RP SMA Male Connectors KPANOM1059](#)

2400-2500, 5150-7125 MHz Wi-Fi 6E Omni MIMO Antenna, 4 dBi Gain, 4 RP SMA Male Connectors

KPANOM1059



Appendix

Electrical Downtilt: Angle in the antenna's elevation pattern in which the maximum gain occurs.

Gain: Antenna's average gain.

Front to Back Ratio @ 180°±30°: Average difference between the antenna's maximum gain and the maximum gain in the antenna's back lobe over ±30° angles.

Cross-polarization Ratio (dB): Typical difference between the co-polarization and cross-polarization gain across the sector's 3 dB Beam Width.

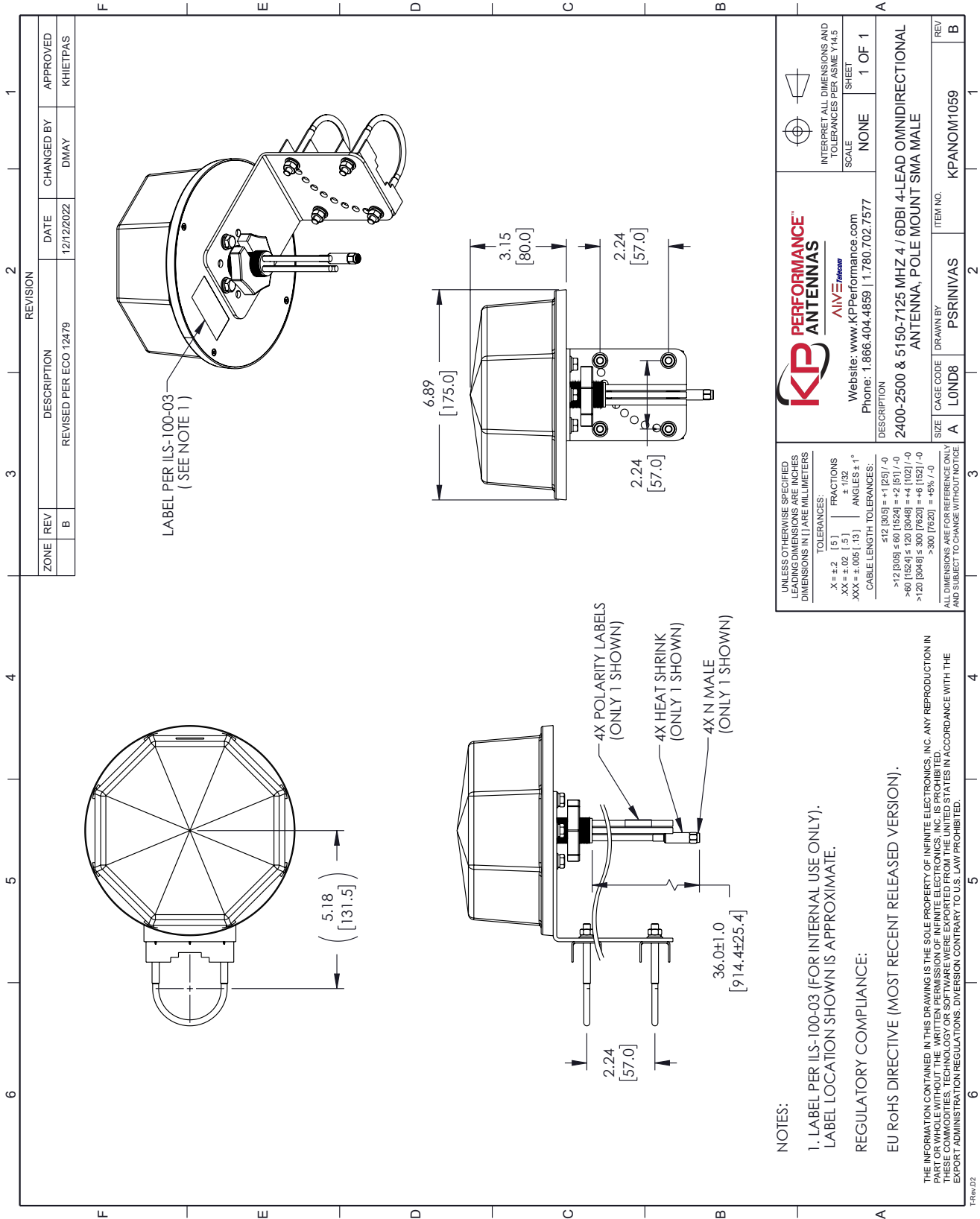
Dedicated to serving the needs of the Wireless Internet Service Provider (WISP) market, KP Performance Antennas offers purpose built products that reliably perform in the field. KP Performance Antennas product line consists of Yagi, Grid, Omni, Dish and other style antennas that operate in the 900 MHz, 2.4 GHz, 3 GHz, and 5 GHz frequencies.

Click the following link (or enter part number in "SEARCH" on website) to obtain additional part information including price, inventory and certifications: [2400-2500, 5150-7125 MHz Wi-Fi 6E Omni MIMO Antenna, 4 dBi Gain, 4 RP SMA Male Connectors KPANOM1059](https://www.kpperformance.com/2400-2500-5150-7125-mhz-wf-fi-6e-omni-mimo-antenna-4-dbi-gain-4-rp-sma-male-connectors-kpanom1059)

URL: <https://www.kpperformance.com/2400-2500-5150-7125-mhz-wf-fi-6e-omni-mimo-antenna-4-dbi-gain-4-rp-sma-male-connectors-kpanom1059-p.aspx>

The information contained within this document is accurate to the best of our knowledge and representative of the part described herein. It may be necessary to make modifications to the part and/or the documentation of the part in order to implement improvements. KP Performance reserves the right to make such changes as required. Unless otherwise stated, all specifications are nominal. KP Performance does not make any representation or warranty regarding the suitability of the part described herein for any particular purpose, and KP Performance does not assume liability arising out of the use of any part or document.

KPANOM1059 CAD Drawing



ZONE	REV	DESCRIPTION	DATE	CHANGED BY	APPROVED
B		REVISED PER ECO-12479	12/12/2022	DMAY	KHIETPAS

KP PERFORMANCE™
 ANIVE™
 Website: www.kpperformance.com
 Phone: 1.866.404.4859 | 1.780.702.7577

INTERPRET ALL DIMENSIONS AND TOLERANCES PER ASME Y14.5
 SCALE: NONE
 SHEET: 1 OF 1

DESCRIPTION:
 2400-2500 & 5150-7125 MHZ 4 / 6DBI 4-LEAD OMNIDIRECTIONAL ANTENNA, POLE MOUNT SMA MALE

SIZE	CAGE CODE	DRAWN BY	ITEM NO.
A	LOND8	PSRINIVAS	KPANOM1059