

617-7125 MHz, 2-5 dBi Gain, Omni-directional Antenna with Magnetic NMO Mount, N-Male Connector

KPANMOB1001-NM



Features

- Outdoor Rated Omni Directional Antenna
- 5 dBi Gain
- Easy to install magnetic mount offering temporary plug and play installation
- NMO Magnetic Mount, Radome Color White
- 2.5:1 VSWR Max
- 10 Foot, Black Low-Loss LMR195 Equivalent
- N-Male Connector

Applications

- Infotainment systems, Routers, Wi-Fi hotspots, HD video transmission, Gateways, Dash cameras, Public transportation Public Safety Networks
- Connected cars or self driving cars, Fleet management, Logistics
- IoT, Industrial IoT, Zigbee, Bluetooth, Wi-Fi

Description

The KP Performance KPANMOB1001-NM is an omnidirectional antenna with a magnetic NMO mount specifically designed for high-performance applications. Our high-quality antenna can operate at frequencies ranging from 617 to 7125 MHz, which is ideal for indoor low-profile, in-building, and mobile applications. This non-infrastructure antenna has a 5 dBi gain, which transmits high-power signals and faster speed. This vertically polarized omni antenna with NMO mount is available in white color.

The KPANMOB1001-NM in-building antenna from KP Performance features an NMO-type magnetic mount, which is ideal when the portability of the antenna is required. Our magnetic mount comes with an N-type male connector and can be used for WLAN, Wi-Fi, public safety, and mobile RF applications. This NMO antenna mount is constructed with a heavy-duty magnet to ensure secure mounting. No drilling is required for the installation of this antenna mount, making it easy to fine-tune the antenna location. The magnetic base is easy to install and offers a temporary plug-and-play installation.

KP Performance has one of the largest in-stock selection of omnidirectional antennas with same-day shipment. Use our on-line ordering system to purchase your KPANMOB1001-NM antenna 24 hours a day with same-day shipping and no MOQs (minimum order quantities). For further information on similar products, our expert technical support and knowledgeable sales team can help you get the ideal vertically polarized antenna with a magnetic NMO mount for your requirements.

Configuration

Design	Omni
Band Type	Single
Radiation Pattern	Omni Directional
Polarization	Vertical
Connector Type	N Male
Number of Ports	1

Electrical Specifications

Description	Minimum	Typical	Maximum	Units
Frequency Range	617		7,125	MHz
Input VSWR			1.5:1	
Gain	2		5	dBi
Input Power			100	Watts

Click the following link (or enter part number in "SEARCH" on website) to obtain additional part information including price, inventory and certifications: [617-7125 MHz, 2-5 dBi Gain, Omni-directional Antenna with Magnetic NMO Mount, N-Male Connector KPANMOB1001-NM](#)

617-7125 MHz, 2-5 dBi Gain, Omni-directional Antenna with Magnetic NMO Mount, N-Male Connector

KPANMOB1001-NM



Mechanical Specifications

Size

Length	4.95 in [125.73 mm]
Width	3 in [76.2 mm]
Height	3 in [76.2 mm]
Weight	1.25 lbs [566.99 g]

Environmental Specifications

Plotted and Other Data

Notes:

Appendix

Electrical Downtilt: Angle in the antenna's elevation pattern in which the maximum gain occurs.

Gain: Antenna's average gain.

Front to Back Ratio @ 180°±30°: Average difference between the antenna's maximum gain and the maximum gain in the antenna's back lobe over ±30° angles.

Cross-polarization Ratio (dB): Typical difference between the co-polarization and cross-polarization gain across the sector's 3 dB Beam Width.

Dedicated to serving the needs of the Wireless Internet Service Provider (WISP) market, KP Performance Antennas offers purpose built products that reliably perform in the field. KP Performance Antennas product line consists of Yagi, Grid, Omni, Dish and other style antennas that operate in the 900 MHz, 2.4 GHz, 3 GHz, and 5 GHz frequencies.

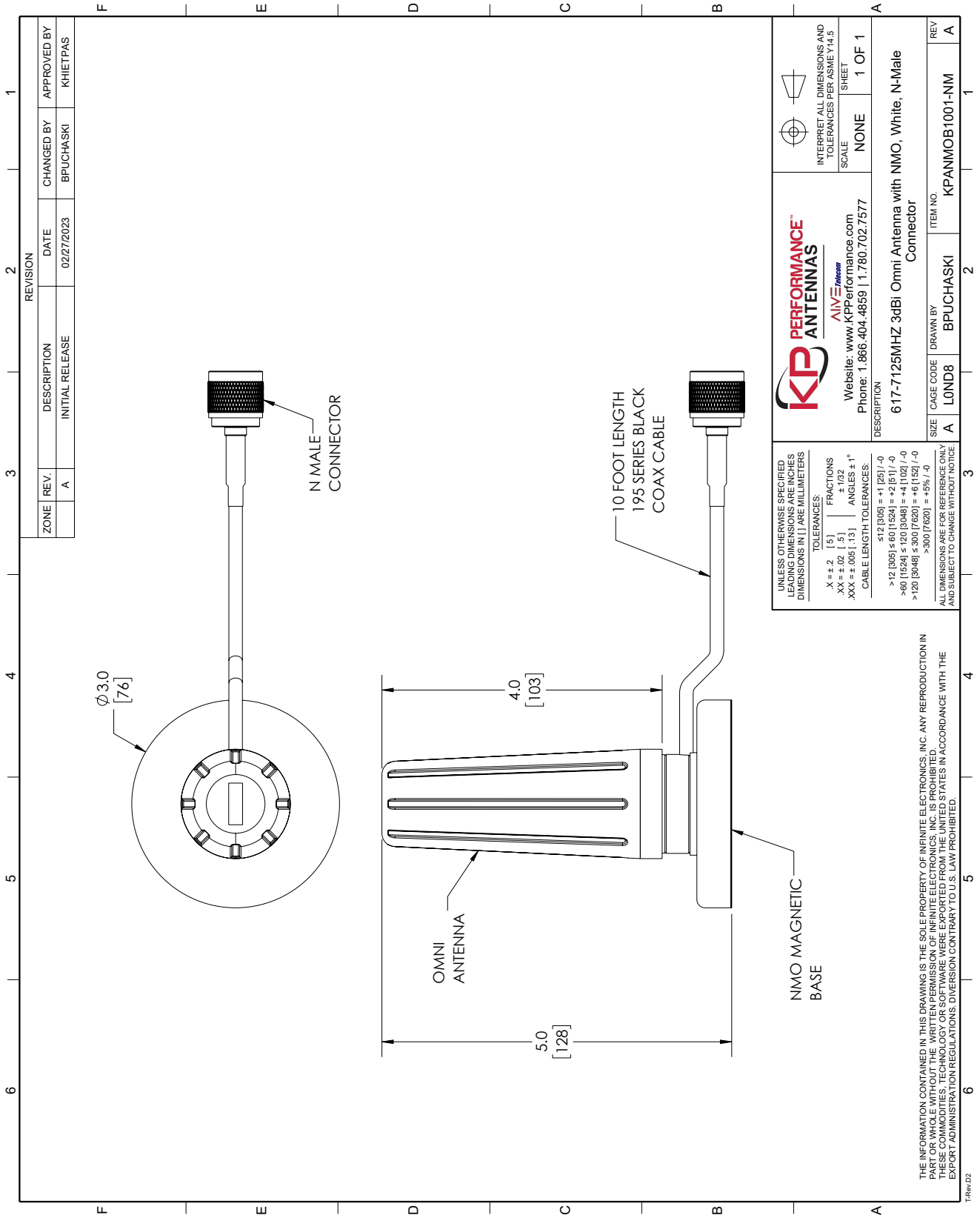
Click the following link (or enter part number in "SEARCH" on website) to obtain additional part information including price, inventory and certifications: [617-7125 MHz, 2-5 dBi Gain, Omni-directional Antenna with Magnetic NMO Mount, N-Male Connector KPANMOB1001-NM](#)

URL: <https://www.kpperformance.com/617-7125-mhz-3-dbi-gain-omni-directional-antenna-with-magnetic-nmo-mount-n-male-connector-kpanmob1001-nm-p.aspx>

The information contained within this document is accurate to the best of our knowledge and representative of the part described herein. It may be necessary to make modifications to the part and/or the documentation of the part in order to implement improvements. KP Performance reserves the right to make such changes as required. Unless otherwise stated, all specifications are nominal. KP Performance does not make any representation or warranty regarding the suitability of the part described herein for any particular purpose, and KP Performance does not assume liability arising out of the use of any part or document.

617-7125 MHz, 2-5 dBi Gain, Omni-directional Antenna with Magnetic NMO Mount, N-Male Connector

KPANMOB1001-NM CAD Drawing



ZONE		REVISION	
A	REV. A	DESCRIPTION	DATE
		INITIAL RELEASE	02/27/2023
		CHANGED BY	APPROVED BY
		BPUCHASKI	KHETTPAS

KP PERFORMANCE ANTENNAS
 Website: www.kpperformance.com
 Phone: 1.866.404.4859 | 1.780.702.7577

INTERPRET ALL DIMENSIONS AND TOLERANCES PER ASME Y14.5

SCALE: NONE
 SHEET: 1 OF 1

DESCRIPTION: 617-7125MHZ 3dBi Omni Antenna with NMO, White, N-Male Connector

SIZE	CAGE CODE	DRAWN BY	ITEM NO.
A	L0ND8	BPUCHASKI	KPANMOB1001-NM

REV A

UNLESS OTHERWISE SPECIFIED LEADING DIMENSIONS ARE INCHES DIMENSIONS IN [] ARE MILLIMETERS

TOLERANCES:
 .X ± .2 [.5] FRACTIONS ± 1/32
 .XX ± .02 [.5] ANGLES ± 1°
 .XXX ± .005 [.13]

CABLE LENGTH TOLERANCES:
 ≤ 12 (305) ± 1 (25) / -0
 > 12 (305) ≤ 60 (1524) ± 2 (51) / -0
 > 60 (1524) ≤ 120 (3048) ± 4 (102) / -0
 > 120 (3048) ≤ 300 (7620) ± 6 (152) / -0
 > 300 (7620) ± 8% / -0

ALL DIMENSIONS ARE FOR REFERENCE ONLY AND SUBJECT TO CHANGE WITHOUT NOTICE.

THE INFORMATION CONTAINED IN THIS DRAWING IS THE SOLE PROPERTY OF INFINITE ELECTRONICS, INC. ANY REPRODUCTION IN PART OR WHOLE WITHOUT THE WRITTEN PERMISSION OF INFINITE ELECTRONICS, INC. IS PROHIBITED. THESE COMMODITIES, TECHNOLOGY OR SOFTWARE WERE EXPORTED FROM THE UNITED STATES IN ACCORDANCE WITH THE EXPORT ADMINISTRATION REGULATIONS. DIVERSION CONTRARY TO U.S. LAW PROHIBITED.