

2400-2500, 5150-5850, 6000-7125 MHz Flat Panel MIMO Antenna, 11 dBi Gain, 8 RP SMA Male Connectors

**KPANFP1043**



**Features**

- Reverse Polarity SMA (RP-SMA) Male Connector
- 8 x Vertical Polarization
- 8x8 MIMO Functionality
- Outdoor Rated Flat Panel Antenna
- 2.4 GHz, 5 GHz, 6 GHz Wi-Fi Bands
- 11 dBi gain

**Applications**

- Infotainment systems, Routers, Wi-Fi hotspots, HD video transmission, Gateways, Dash cameras, Public transportation
- Connected cars or self-driving cars, Fleet management, Logistics
- Public Safety Networks
- Zigbee, Bluetooth, Wi-Fi

**Description**

The KPANFP1043 Wi-Fi 6e Antenna from KP Performance is a high performance directional antenna designed for the 2400 MHz to 7125 MHz bands and is available to ship same day. It is a UV protected, outdoor rated antenna with directional pattern. The KPANFP1043 is ideally suited for 802.11 protocols including 802.11ax as well as Zigbee, Bluetooth and is 8x8 MIMO capable.

The KP Performance high performance KPANFP1043 is a rugged antenna providing broad coverage, low latency, increased network capacity and 11 dBi gain. This 8 port RPSMA Male directional antenna is suitable for commercial radios and access points in public and private networks that are equipped with Reverse Polarity SMA Type connectors.

This Wi-Fi 6e KPANFP1043 antenna with 8 RPSMA Male connectors, as well as our wide selection of superior quality RF parts, ships same day. Contact our knowledgeable and friendly technical support and sales staff for your answers on antennas or other KP Performance products.

**Configuration**

Design	Flat Panel
Application Band	Wi-Fi 6E
Band Type	Multi
Radiation Pattern	Directional
Polarization	Vertical
Cable Type	RG58/U
Cable Length	36 in [914.4 mm]
Connector Type	SMA Male Reverse Polarity
Number of Ports	8
Lightning Protection	DC Ground

**Electrical Specifications**

Description	Minimum	Typical	Maximum	Units
Frequency Range	2,400		7,125	MHz
Input VSWR			2:1	
Impedance		50		Ohms
Input Power			50	Watts

Click the following link (or enter part number in "SEARCH" on website) to obtain additional part information including price, inventory and certifications: [2400-2500, 5150-5850, 6000-7125 MHz Flat Panel MIMO Antenna, 11 dBi Gain, 8 RP SMA Male Connectors KPANFP1043](#)

2400-2500, 5150-5850, 6000-7125 MHz Flat Panel MIMO Antenna, 11 dBi Gain, 8 RP SMA Male Connectors

**KPANFP1043**



**Specifications by Band**

Description	Band 1	Band 2	Band 3	Band 4	Band 5	Units
Range	2.4 to 2.5	5.15 to 5.85	6 to 7.125			GHz
Gain	9	11	11			dBi
Horizontal HPBW	120	115	110			Degrees
Vertical HPBW	28	15	12			Degrees
Port Isolation	20	25	25			dB
Front to Back Ratio	25	25	25			dB

**Mechanical Specifications**

Radome Material	UV Resistant ABS
<b>Size</b>	
Length	24.25 in [615.95 mm]
Width	19 in [482.6 mm]
Height	2.55 in [64.77 mm]
Weight	12.5 lbs [5.67 kg]
Color	White

**Environmental Specifications**

<b>Temperature</b>	
Operating Range	-40 to +70 deg C
Humidity	5 to 95

**Plotted and Other Data**

Notes:

Click the following link (or enter part number in "SEARCH" on website) to obtain additional part information including price, inventory and certifications:  
[2400-2500, 5150-5850, 6000-7125 MHz Flat Panel MIMO Antenna, 11 dBi Gain, 8 RP SMA Male Connectors KPANFP1043](#)

2400-2500, 5150-5850, 6000-7125 MHz Flat Panel MIMO Antenna, 11 dBi Gain, 8 RP SMA Male Connectors

**KPANFP1043**



---

## Appendix

**Electrical Downtilt:** Angle in the antenna's elevation pattern in which the maximum gain occurs.

**Gain:** Antenna's average gain.

**Front to Back Ratio @ 180°±30°:** Average difference between the antenna's maximum gain and the maximum gain in the antenna's back lobe over ±30° angles.

**Cross-polarization Ratio (dB):** Typical difference between the co-polarization and cross-polarization gain across the sector's 3 dB Beam Width.

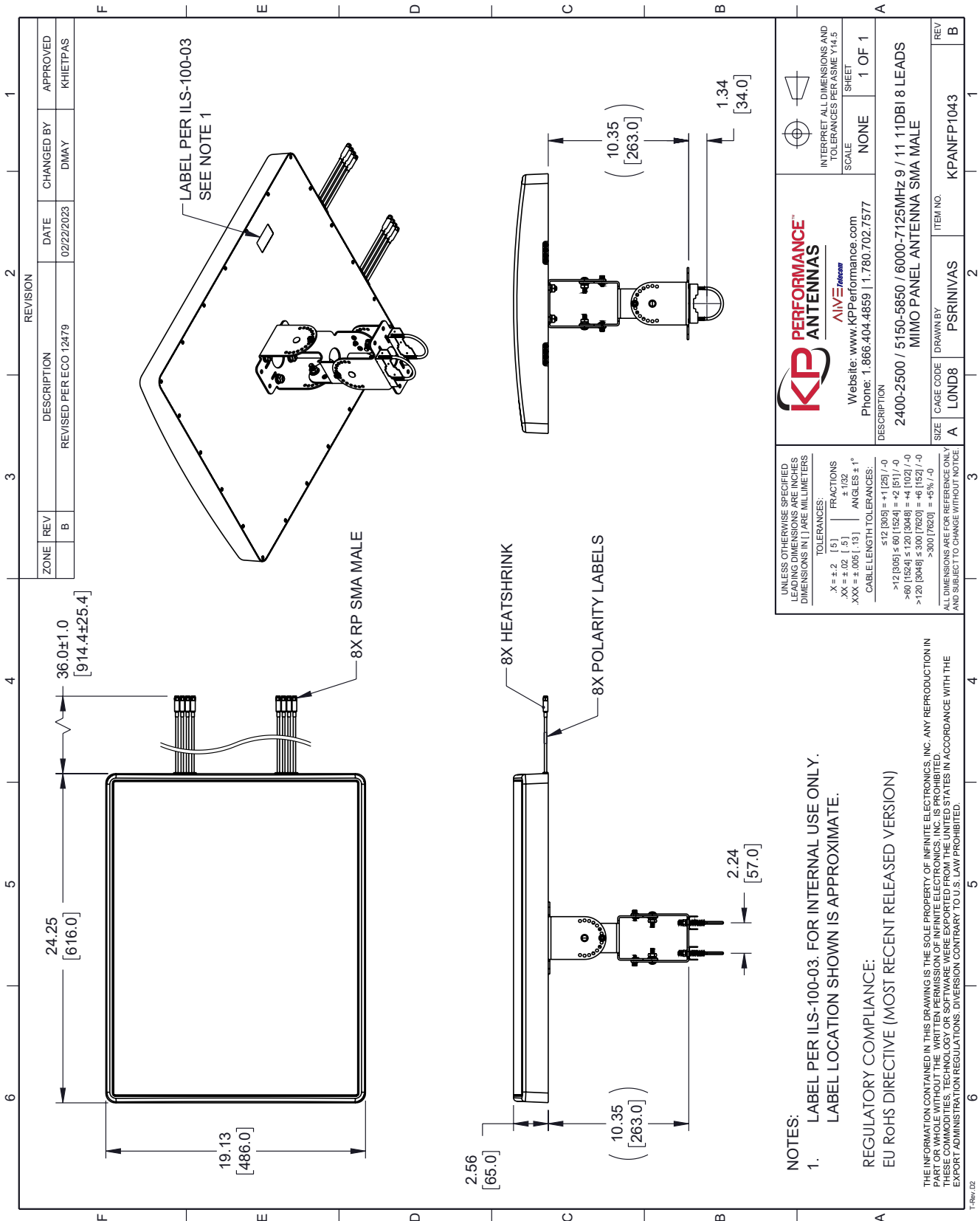
Dedicated to serving the needs of the Wireless Internet Service Provider (WISP) market, KP Performance Antennas offers purpose built products that reliably perform in the field. KP Performance Antennas product line consists of Yagi, Grid, Omni, Dish and other style antennas that operate in the 900 MHz, 2.4 GHz, 3 GHz, and 5 GHz frequencies.

Click the following link (or enter part number in "SEARCH" on website) to obtain additional part information including price, inventory and certifications: [2400-2500, 5150-5850, 6000-7125 MHz Flat Panel MIMO Antenna, 11 dBi Gain, 8 RP SMA Male Connectors KPANFP1043](https://www.kpperformance.com/2400-2500-5150-5850-6000-7125-mhz-flat-panel-mimo-antenna-11-dbi-gain-8-rp-sma-male-connectors-kpanfp1043-p.aspx)

URL: <https://www.kpperformance.com/2400-2500-5150-5850-6000-7125-mhz-flat-panel-mimo-antenna-11-dbi-gain-8-rp-sma-male-connectors-kpanfp1043-p.aspx>

The information contained within this document is accurate to the best of our knowledge and representative of the part described herein. It may be necessary to make modifications to the part and/or the documentation of the part in order to implement improvements. KP Performance reserves the right to make such changes as required. Unless otherwise stated, all specifications are nominal. KP Performance does not make any representation or warranty regarding the suitability of the part described herein for any particular purpose, and KP Performance does not assume liability arising out of the use of any part or document.

KPANFP1043 CAD Drawing



ZONE		REVISION		APPROVED	
B	REV	DESCRIPTION	DATE	CHANGED BY	APPROVED
	B	REVISED PER ECO 12479	02/22/2023	DMAY	KHIETPAS

**KP PERFORMANCE ANTENNAS**  
 AIVE Telecom  
 Website: www.kpperformance.com  
 Phone: 1.866.404.4859 | 1.780.702.7577

INTERPRET ALL DIMENSIONS AND TOLERANCES PER ASME Y14.5  
 SCALE NONE  
 SHEET 1 OF 1

DESCRIPTION  
 2400-2500 / 5150-5850 / 6000-7125MHz 9 / 11 11DBI 8 LEADS  
 MIMO PANEL ANTENNA SMA MALE

SIZE	CAGE CODE	DRAWN BY	ITEM NO.
A	LOND8	PSRINIVAS	KPANFP1043

UNLESS OTHERWISE SPECIFIED, LEADING DIMENSIONS ARE INCHES AND DIMENSIONS IN [ ] ARE MILLIMETERS.

TOLERANCES:  
 X = ±.2 (5) FRACTIONS  
 XX = ±.02 (.5) ANGLES ± 1°  
 XXX = ±.005 (.13)

CABLE LENGTH TOLERANCES:  
 ≤ 12 [305] = ± 1 [25] / -0  
 > 12 [305] ≤ 60 [1524] = ± 2 [51] / -0  
 > 60 [1524] ≤ 120 [3048] = ± 4 [102] / -0  
 > 120 [3048] ≤ 300 [7620] = ± 6 [152] / -0  
 > 300 [7620] = ± 5% / -0

ALL DIMENSIONS ARE FOR REFERENCE ONLY AND SUBJECT TO CHANGE WITHOUT NOTICE.

NOTES:  
 1. LABEL PER ILS-100-03. FOR INTERNAL USE ONLY. LABEL LOCATION SHOWN IS APPROXIMATE.

REGULATORY COMPLIANCE:  
 EU RoHS DIRECTIVE (MOST RECENT RELEASED VERSION)

THE INFORMATION CONTAINED IN THIS DRAWING IS THE SOLE PROPERTY OF INFINITE ELECTRONICS, INC. ANY REPRODUCTION IN PART OR WHOLE WITHOUT THE WRITTEN PERMISSION OF INFINITE ELECTRONICS, INC. IS PROHIBITED. THESE COMMODITIES, TECHNOLOGY OR SOFTWARE WERE EXPORTED FROM THE UNITED STATES IN ACCORDANCE WITH THE EXPORT ADMINISTRATION REGULATIONS. DIVERSION CONTRARY TO U.S. LAW PROHIBITED.

T-Rev: 02