

4950 MHz to 7125 MHz, Horn Antenna,
2x2 MIMO, 15 dBi, RPSMA

KP-6HA-50-RSP



Features

- Symmetrical horn antenna
- 4950 to 7125 MHz, 15 dBi
- VSWR < 2:1
- All aluminum dish
- Dual slant (V/H or ±45°)
- 50 W max input power per port
- 2 x RPSMA female connectors
- DC ground

Applications

- Long distance backhaul
- Point to point data links (PtP)
- Point to multi-point data links (PtMP)
- Wi-Fi 5, Wi-Fi 6, Wi-Fi 6E and Wi-Fi 7
- Unlicensed 5GHz and 6GHz bands
- 5G bands - n46, n47, n96, n102, n104
- 2x2 MIMO capability
- High speed internet access

Description

The KP Performance KP-6HA-50-RSP horn antenna for point to point communications which uses a gradual transition structure like a trumpet to match the impedance, enabling waves from the waveguide to radiate easily. It has a frequency range of 4950 to 7125 MHz, providing stability over a wide bandwidth to support gigabit transmissions and has operating temperature ranging from -40°C to 70°C (-32°F to 158°F). This antenna has nearly equal elevation and azimuth beam-width and has a 15 dBi high gain, which describes electrical power conversion capability.

The KP Performance KP-6HA-50-RSP horn antenna has an RP-SMA connector capable of carrying microwave frequencies used to join coaxial cables. This point to point antenna has a 50 Ohms impedance and is highly directional, which means it receives greater power in a specific direction. This antenna features dual slant (V/H or ±45°) polarization, which makes them compatible with any single or dual polarized 2 x 2 MIMO radio and eliminates the risk of link strength degradation due to polarization mismatch.

KP Performance KP-6HA-50-RSP white horn antenna has less than 2.5 VSWR (Voltage Standing Wave Ratio) that results in the best power transfer and reduced losses. It has 50 W maximum power per port within which it has the ability to perform without damage. This antenna has dc ground lightning protection to protect the system from damage due to lightning strikes.

This KP Performance KP-6HA-50-RSP horn antenna, 4950 to 7125 MHz, 15 dBi is in stock and ready to ship same-day. This high-performance 15 dBi wifi 6e antenna is ideal for 4.9/5.1/5.3/5.4/5.8/6 GHz ISM and UNII band, Wi-Fi 6e and Wi-Fi 7, and long distance backhaul and point to point data link applications. Based on your specifications, our expert technical support and highly trained sales team can find the ideal 4950 to 7125 MHz, 15 dBi horn antenna.

Configuration

| | |
|----------------------|----------------------|
| Design | Horn |
| Application Band | MIMO |
| Band Type | Single |
| Polarization | H/V or 45 Deg. Slant |
| Connector Type | SMA Reverse Polarity |
| Interface 2 | SMA Reverse Polarity |
| Number of Ports | 2 |
| Lightning Protection | DC Grounded |

Electrical Specifications

| Description | Minimum | Typical | Maximum | Units |
|-------------|---------|---------|---------|-------|
|-------------|---------|---------|---------|-------|

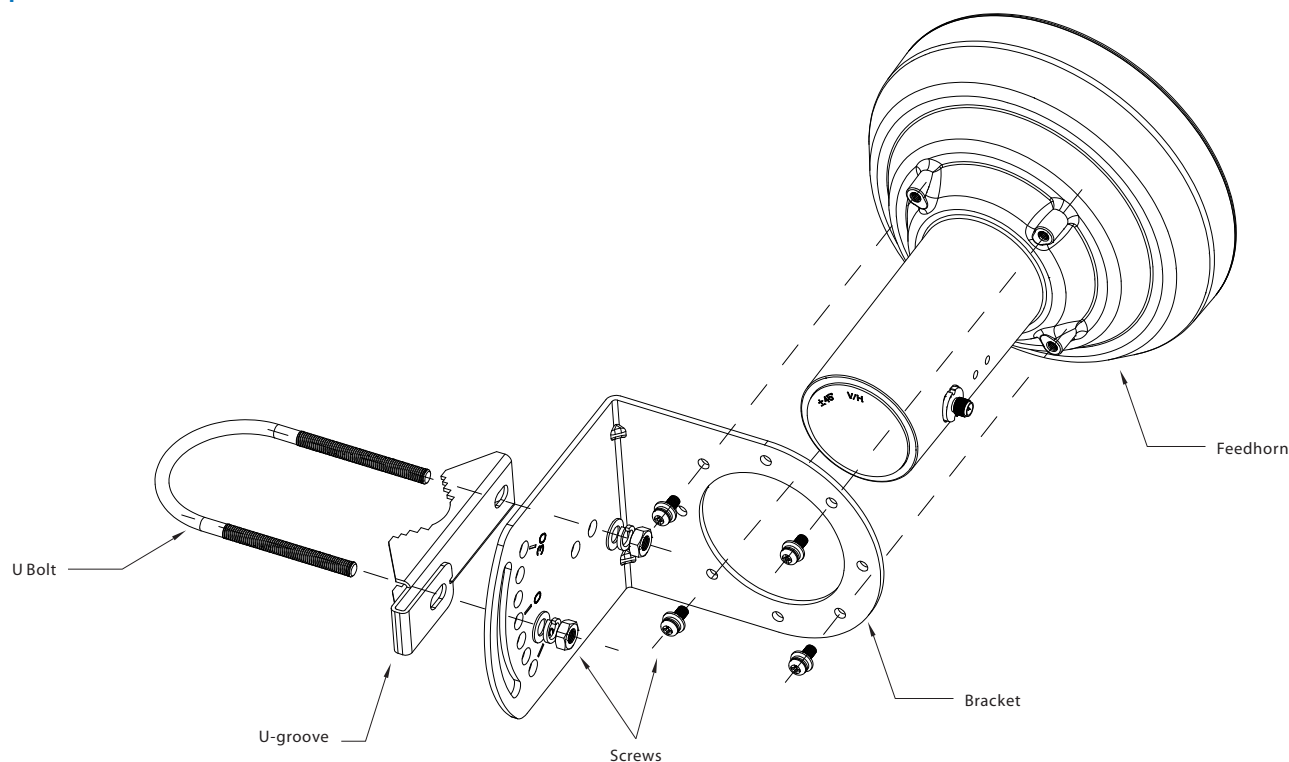
Click the following link (or enter part number in "SEARCH" on website) to obtain additional part information including price, inventory and certifications:
[4950 MHz to 7125 MHz, Horn Antenna, 2x2 MIMO, 15 dBi, RPSMA KP-6HA-50-RSP](#)

4950 MHz to 7125 MHz, Horn Antenna,
2x2 MIMO, 15 dBi, RPSMA

KP-6HA-50-RSP



| | | | |
|---------------------------|-------|-------|---------|
| Frequency Range | 4,950 | 7,125 | MHz |
| Input VSWR | 2:1 | | |
| Impedance | 50 | | Ohms |
| Horizontal (Azimuth) HPBW | 30 | | Degrees |
| Vertical (Elevation) HPBW | 30 | | Degrees |
| Input Power | 50 | | Watts |



Specifications by Band

| Description | Band 1 | Band 2 | Band 3 | Band 4 | Band 5 | Units |
|-------------|-------------|------------|--------------|--------|--------|-------|
| Range | 4.95 to 5.1 | 5.1 to 5.9 | 5.9 to 7.125 | | | GHz |
| Gain | 14 | 14.5 | 15 | | | dBi |
| VSWR Max | 2.5:1 | 2:1 | 2:1 | | | |

Click the following link (or enter part number in "SEARCH" on website) to obtain additional part information including price, inventory and certifications:
[4950 MHz to 7125 MHz, Horn Antenna, 2x2 MIMO, 15 dBi, RPSMA KP-6HA-50-RSP](#)

4950 MHz to 7125 MHz, Horn Antenna,
2x2 MIMO, 15 dBi, RPSMA

KP-6HA-50-RSP



Mechanical Specifications

| | |
|------------------------|------------------------------------------|
| Radome Material | Aluminum |
| Size | |
| Length | 5.7 in [144.78 mm] |
| Width | 5.9 in [149.86 mm] |
| Height | 5.9 in [149.86 mm] |
| Mounting Mast Diameter | 1.1811 to 3.14961 in [30.00 to 80.00 mm] |
| Weight | 2.2 lbs [997.9 g] |

Environmental Specifications

| | |
|--------------------|------------------|
| Temperature | |
| Operating Range | -40 to +70 deg C |

Plotted and Other Data

Notes:

Appendix

Electrical Downtilt: Angle in the antenna’s elevation pattern in which the maximum gain occurs.

Gain: Antenna’s average gain.

Front to Back Ratio @ 180°±30°: Average difference between the antenna’s maximum gain and the maximum gain in the antenna’s back lobe over ±30° angles.

Cross-polarization Ratio (dB): Typical difference between the co-polarization and cross-polarization gain across the sector’s 3 dB Beam Width.

Dedicated to serving the needs of the Wireless Internet Service Provider (WISP) market, KP Performance Antennas offers purpose built products that reliably perform in the field. KP Performance Antennas product line consists of Yagi, Grid, Omni, Dish and other style antennas that operate in the 900 MHz, 2.4 GHz, 3 GHz, and 5 GHz frequencies.

Click the following link (or enter part number in “SEARCH” on website) to obtain additional part information including price, inventory and certifications: [4950 MHz to 7125 MHz, Horn Antenna, 2x2 MIMO, 15 dBi, RPSMA KP-6HA-50-RSP](https://www.kpperformance.com/4950-mhz-to-7125-mhz-horn-antenna-2x2-mimo-15-dbi-rpsma-kp-6ha-50-rsp)

URL: <https://www.kpperformance.com/4900-mhz-to-7125-mhz-horn-antenna-2x2-mimo-15-dbi-rpsma-kp-6ha-50-rsp-p.aspx>

The information contained within this document is accurate to the best of our knowledge and representative of the part described herein. It may be necessary to make modifications to the part and/or the documentation of the part in order to implement improvements. KP Performance reserves the right to make such changes as required. Unless otherwise stated, all specifications are nominal. KP Performance does not make any representation or warranty regarding the suitability of the part described herein for any particular purpose, and KP Performance does not assume liability arising out of the use of any part or document.

KP-6HA-50-RSP CAD Drawing

