

Product Data Sheet

KP-5HA-60

4.9 GHz to 6.4 GHz, 60 Degree Horn Antenna, 13.8 dBi, 2-Port

- ProLine horn with stable and high gain over a wide bandwidth
- Interference mitigation with highly suppressed side-lobes and superior front-to-back that allows channel reuse
- Fine azimuth- and elevation- tilt markings to simplify alignment
- Mountable on left or right side of the pole without flipping upside down
- Quick-connect waveguide allows adjustable polarization and is compatible with dual port N-type and radio-specific adapters (see chart below)

Electrical Specification

Frequency Band	MHz	4900-5400	5400-5900	5900-6400
Gain	dBi	13.4	13.6	13.8
Polarization		H/V Slant ($\pm 45^\circ$)		
3dB Beamwidth	Degree	44	42	40
6dB Beamwidth	Degree	58	60	61
Front-to-Back Ratio	dB	35	35	35
Cross-polarization Ratio over HPBW	dB	25	25	23
VSWR		1.5 typ 1.7 max	1.5 typ 1.7 max	1.5 typ 1.7 max
Return Loss		14 typ 10 max	14 typ 12 max	14 typ 10 max
Port-to-Port Isolation	dB	35	35	29
Max. Input Power per Port	W		100	
Impedance	Ohms		50	

Mechanical Specifications

RF Connector Type	Quick-Connect Waveguide for Compatible Adapters
Electrical Grounding	RF connector grounded to horn and mounting bracket
Radome Material	UV resistant PVC
Horn Material	Powder Coated High-Strength Aluminium
Ingress Protection	IP55 rain and dust resistant
Wind Load, frontal	35N @ 160km/h 16lbf @ 100mph
Max. Wind Speed	160km/h 100mph
Temperature Range	-40° to +60° C -40° to +140° F

Bracket Specifications

Material Type	Powder Coated High-Strength Aluminium
Mechanical Tilt	$\pm 25^\circ$
Mounting Type	Pipe Mount
Mounting pole diameter	19 mm – 91 mm 0.75 in – 3.6 in

Horn Dimensions

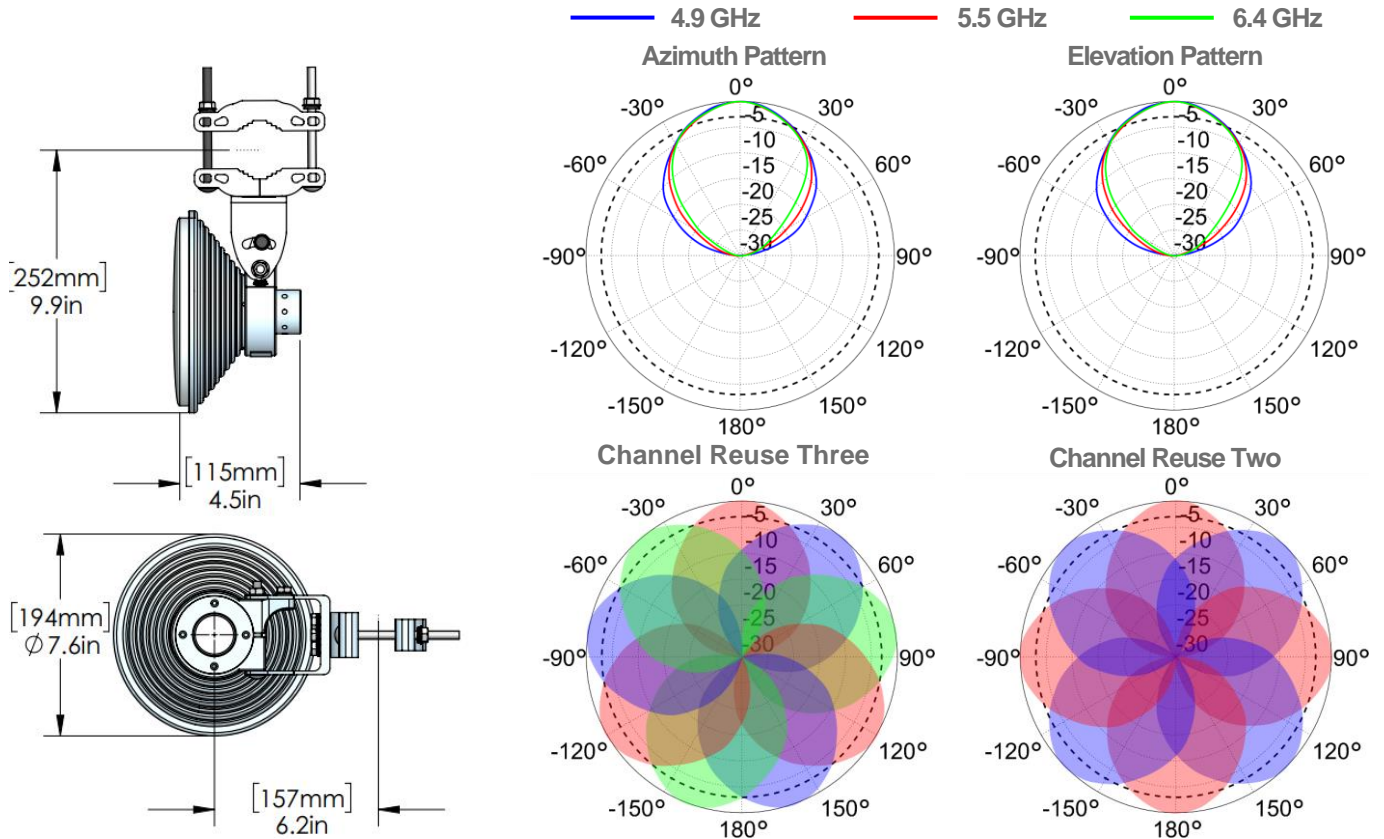
Length	115 mm 4.5 in
Width	252 mm 9.9 in
Height	194 mm 7.6 in
Net Weight, with brackets	1.9 kg 4.4 lb

Product Data Sheet

Shipping Dimensions

Length	178 mm		7 in
Width	305 mm		12 in
Height	229 mm		9 in
Net Weight	2.3 kg		5.0 lb

Graphical Data



Compatible Adapters

KP-5PDA-N	2 x N-Type Female Connectors
KP-5PDA-C5C	Mimosa® C5C™
KP-5PDA-USI5	Ubiquiti®: PrismStation™ 5AC, IsoStation™ 5AC, IsoStation™ M5
KP-5PDA-URPG2	Ubiquiti®: Prism™ 5AC and 5AC Gen 2, airFiber™ 5X, and 5X HD (Coming Soon)
KP-5PDA-EPMP2000	Cambium® ePMP2000™ (Coming Soon)
KP-5PDA-EPM13L	Cambium® ePMP1000™, Force 300CSM™, and ePMP3000L™ (Coming Soon)

Appendix

3dB and 6dB Beamwidth: Average and variation of the antenna's 3dB (half power) and 6dB (quarter power) beamwidth in its horizontal and vertical patterns.
 Gain: Antenna's average gain in each frequency band.
 Front to Back Ratio: Difference between the antenna's maximum gain and the maximum gain in the antenna's back lobe over ±15° angles.
 Cross-polarization Ratio over HPBW (dB): Maximum difference between the co-polarization and cross-polarization gain across the sector's HPBW.