

Product Data Sheet

KP-5HA-30 4.9 GHz to 6.4 GHz, 30 Degree Horn Antenna, 19.0 dBi, 2-Port

- ProLine horn with stable and high gain over a wide bandwidth
- Interference mitigation with highly suppressed side-lobes and superior front-to-back that allows channel reuse
- Fine azimuth- and elevation- tilt markings to simplify alignment
- Mountable on left or right side of the pole without flipping upside down
- Quick-connect waveguide allows adjustable polarization and is compatible with dual port N-type and radio-specific adapters (see chart below)

Electrical Specification

Frequency Band	MHz	4900-5400	5400-5900	5900-6400
Gain	dBi	18.3	19.0	19.0
Polarization			H/V Slant ($\pm 45^\circ$)	
Horizontal/Vertical 3dB Beamwidth	Degree	23	21	19
Horizontal/Vertical 6dB Beamwidth	Degree	31	30	28
Front-to-Back Ratio	dB	42	43	42
Cross-polarization Ratio over HPBW	dB	25	25	22
VSWR		1.5 typ 1.7 max	1.5 typ 1.7 max	1.5 typ 2.0 max
Return Loss		14 typ 12 max	14 typ 12 max	14 typ 10 max
Port-to-Port Isolation	dB	30	35	22
Max. Input Power per Port	W		100	
Impedance	Ohms		50	

Mechanical Specifications

RF Connector Type	Quick-Connect Waveguide for Compatible Adapters
Electrical Grounding	RF connector grounded to horn and mounting bracket
Radome Material	UV resistant PVC
Horn Material	Powder Coated High-Strength Aluminium
Ingress Protection	IP55 rain and dust resistant
Wind Load, frontal	45N @ 160km/h 20lbf @ 100mph
Max. Wind Speed	160km/h 100mph
Temperature Range	-40° to +60° C -40° to +140° F

Bracket Specifications

Material Type	Powder Coated High-Strength Aluminium
Mechanical Tilt	$\pm 25^\circ$
Mounting Type	Pipe Mount
Mounting pole diameter	19 mm – 91 mm 0.75 in – 3.6 in

Horn Dimensions

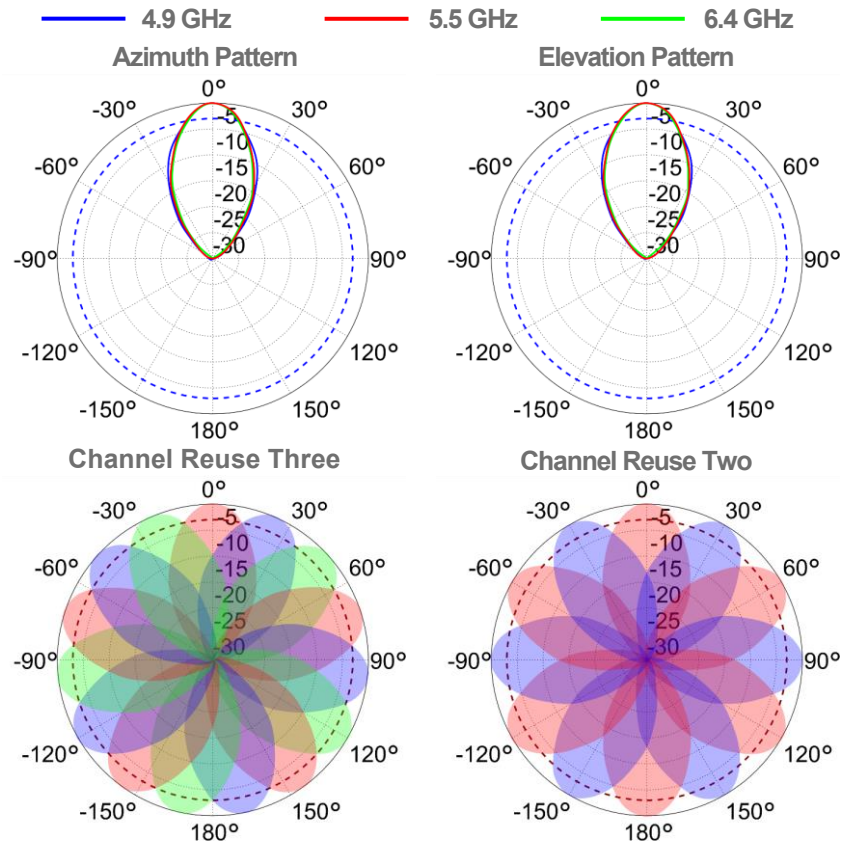
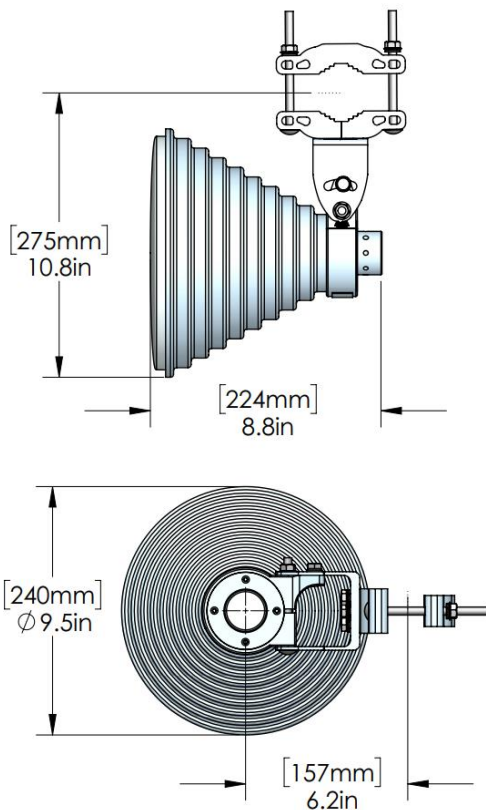
Length	225 mm 8.8 in
Width	274 mm 10.8 in
Height	240 mm 9.5 in
Net Weight, with brackets	2.6 kg 5.8 lb

Product Data Sheet

Shipping Dimensions

Length	254 mm		10 in
Width	330 mm		13 in
Height	279 mm		11 in
Net Weight	3.0 kg		6.5 lb

Graphical Data



Compatible Adapters

KP-5PDA-N	2 x N-Type Female Connectors
KP-5PDA-C5C	Mimosa® C5C™
KP-5PDA-USI5	Ubiquiti®: PrismStation™ 5AC, IsoStation™ 5AC, IsoStation™ M5
KP-5PDA-URPG2	Ubiquiti®: Prism™ 5AC and 5AC Gen 2, airFiber™ 5X, and 5X HD (Coming Soon)
KP-5PDA-EPMP2000	Cambium® ePMP2000™ (Coming Soon)
KP-5PDA-EPM13L	Cambium® ePMP1000™, Force 300CSM™, and ePMP3000L™ (Coming Soon)

Appendix

3dB and 6dB Beamwidth: Average and variation of the antenna's 3dB (half power) and 6dB (quarter power) beamwidth in its horizontal and vertical patterns.

Gain: Antenna's average gain in each frequency band.

Front to Back Ratio: Difference between the antenna's maximum gain and the maximum gain in the antenna's back lobe over $\pm 15^\circ$ angles.

Cross-polarization Ratio over HPBW (dB): Maximum difference between the co-polarization and cross-polarization gain across the sector's HPBW.