

3300-4200 MHz, 18 dBi, Flat Panel Antenna, 45 Deg. Slant Polarized, 2 x N-Type Female Connectors

KP-3DPFP20-V2



Features

- 3300 MHz to 4200 MHz, 20 dBi gain
- Indoor/Outdoor flat panel antenna
- 2 x N-type female connector
- Weather proof - UV resistant ABS radome
- Dual slant polarization (+/- 45 deg.)
- VSWR < 1.7:1
- 50 W max input power per port

Applications

- Long distance backhaul
- Point to point data links (PtP)
- Point to multi-point data links (PtMP)
- Standard C-band and extended C-band
- 5G bands - n77, n78
- MIMO capability
- CBRS and extended CBRS
- 3 GHz WISP and LTE network

Description

The KP Performance KP-3DPFP20-V2 2-port MIMO flat panel 5G antenna has a frequency range of 3300 – 4200 MHz. This N-Type female connector directional antenna supports the latest C bands and CBRS bands for 5G. This 18 dBi Omni 5G antenna includes a LMR200 cable type.

The KP-3DPFP20-V2 MIMO flat panel 5G antenna has 45 deg. slant polarization band. The N-type Omni 5G antenna is available in 15-degree horizontal and 15-degree vertical HPBW. This 2-port single band directional antenna is made-up of ABS radome material, and is DC grounded for lightning protection. The 3300 – 4200 MHz N-Type female connectorized C-band antenna has 50 Ohms impedance and 50 Watts maximum input power.

This KP-3DPFP20-V2 3300 – 4200 MHz white C-band antenna has a mounting mast diameter ranging from 1.18 to 2.36 inches. This N-type directional antenna can operate at a temperature ranging from -40 to 60 °C. This 18 dBi Omni 5G antenna is suitable for use in the commercial, enterprise, C-Band, CBRS, and 5G bands in the telecom sector.

KP Performance has the largest in-stock selection of MIMO flat panel 5G antenna with the same-day shipment. Make your online purchase right now to take advantage of our same-day shipping. For further information on similar products, our expert technical support and knowledgeable sales team can help you get the perfect 3300 – 4200 MHz antenna for your requirements.

Configuration

Design	Panel
Application Band	MIMO
Band Type	Single
Radiation Pattern	Directional
Polarization	45 Deg. Slant
Connector Type	N Female
Interface 2	N Female
Number of Ports	2
Lightning Protection	DC Grounded

Electrical Specifications

Description	Minimum	Typical	Maximum	Units
Frequency Range	3,300		4,200	MHz
Input VSWR			2:1	

Click the following link (or enter part number in "SEARCH" on website) to obtain additional part information including price, inventory and certifications: [3300-4200 MHz, 18 dBi, Flat Panel Antenna, 45 Deg. Slant Polarized, 2 x N-Type Female Connectors KP-3DPFP20-V2](#)

3300-4200 MHz, 18 dBi, Flat Panel Antenna, 45 Deg. Slant Polarized, 2 x N-Type Female Connectors

KP-3DPFP20-V2

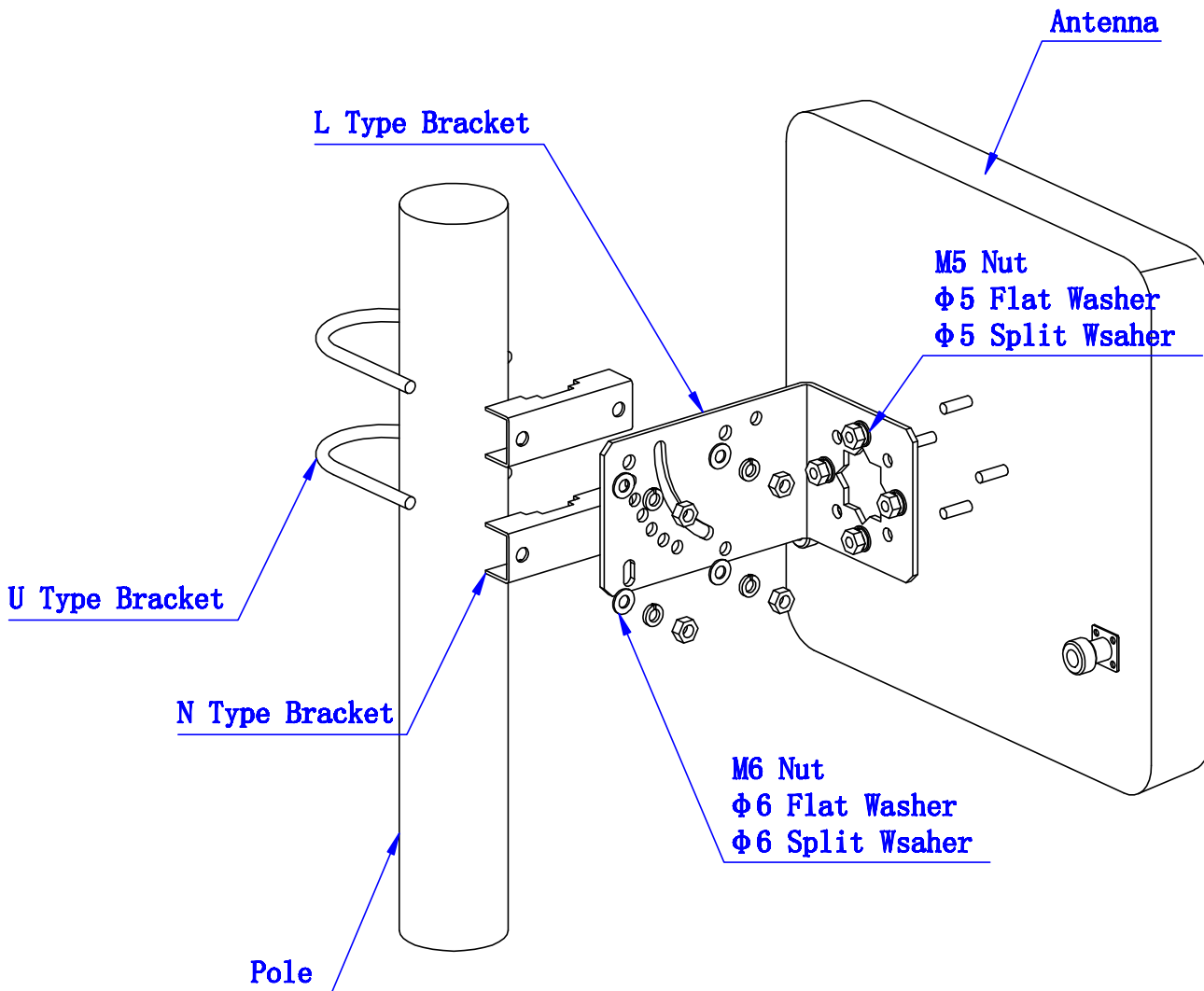


Impedance	50	Ohms
Gain	18	dBi
Front to Back Ratio	28	dB
Horizontal (Azimuth) HPBW	15	Degrees
Vertical (Elevation) HPBW	15	Degrees
Input Power	50	Watts

Click the following link (or enter part number in "SEARCH" on website) to obtain additional part information including price, inventory and certifications:
[3300-4200 MHz, 18 dBi, Flat Panel Antenna, 45 Deg. Slant Polarized, 2 x N-Type Female Connectors KP-3DPFP20-V2](#)

3300-4200 MHz, 18 dBi, Flat Panel Antenna, 45 Deg. Slant Polarized, 2 x N-Type Female Connectors

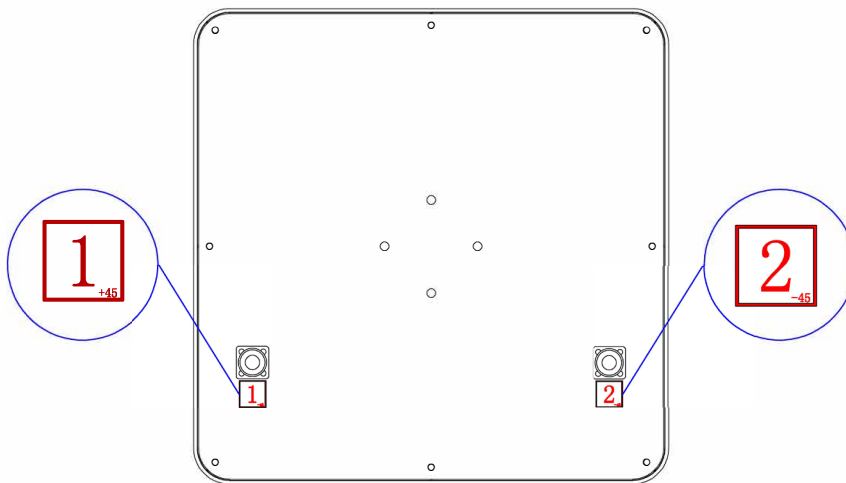
KP-3DPFP20-V2



Click the following link (or enter part number in "SEARCH" on website) to obtain additional part information including price, inventory and certifications:
[3300-4200 MHz, 18 dBi, Flat Panel Antenna, 45 Deg. Slant Polarized, 2 x N-Type Female Connectors KP-3DPFP20-V2](#)

3300-4200 MHz, 18 dBi, Flat Panel Antenna, 45 Deg. Slant Polarized, 2 x N-Type Female Connectors

KP-3DPFP20-V2



Mechanical Specifications

Radome Material	ABS
Size	
Length	10.4331 in [265 mm]
Width	10.4331 in [265 mm]
Height	2.3622 in [60 mm]
Mounting Mast Diameter	1.18 to 2.36 in [29.97 to 59.94 mm]
Weight	5.5125 lbs [2.5 kg]

Click the following link (or enter part number in "SEARCH" on website) to obtain additional part information including price, inventory and certifications:
[3300-4200 MHz, 18 dBi, Flat Panel Antenna, 45 Deg. Slant Polarized, 2 x N-Type Female Connectors KP-3DPFP20-V2](#)

3300-4200 MHz, 18 dBi, Flat Panel Antenna, 45 Deg. Slant Polarized, 2 x N-Type Female Connectors

KP-3DPFP20-V2



Environmental Specifications

Temperature

Operating Range
Wind Survivability
Wind Loading

-40 to +60 deg C
134 MPH [215.65 KPH]

Plotted and Other Data

Notes:

Appendix

Electrical Downtilt: Angle in the antenna's elevation pattern in which the maximum gain occurs.

Gain: Antenna's average gain.

Front to Back Ratio @ 180°±30°: Average difference between the antenna's maximum gain and the maximum gain in the antenna's back lobe over ±30° angles.

Cross-polarization Ratio (dB): Typical difference between the co-polarization and cross-polarization gain across the sector's 3 dB Beam Width.

Dedicated to serving the needs of the Wireless Internet Service Provider (WISP) market, KP Performance Antennas offers purpose built products that reliably perform in the field. KP Performance Antennas product line consists of Yagi, Grid, Omni, Dish and other style antennas that operate in the 900 MHz, 2.4 GHz, 3 GHz, and 5 GHz frequencies.

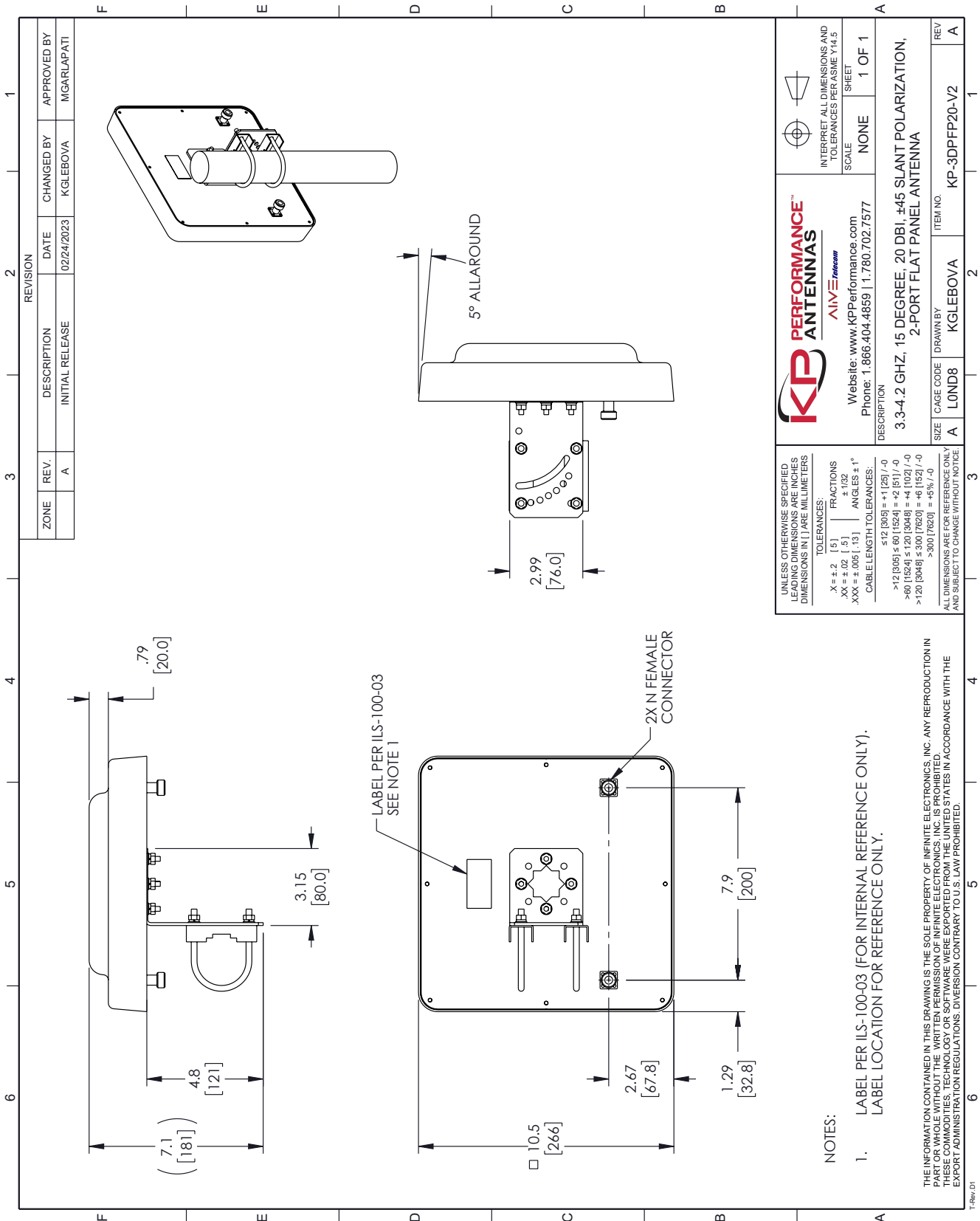
Click the following link (or enter part number in "SEARCH" on website) to obtain additional part information including price, inventory and certifications: [3300-4200 MHz, 18 dBi, Flat Panel Antenna, 45 Deg. Slant Polarized, 2 x N-Type Female Connectors KP-3DPFP20-V2](#)

URL: <https://www.kpperformance.com/3300-4200-mhz-18-dbi-flat-panel-antenna-45-deg.-slant-polarized-2-x-n-type-female-connectors-kp-3dpfp20-v2-p.aspx>

The information contained within this document is accurate to the best of our knowledge and representative of the part described herein. It may be necessary to make modifications to the part and/or the documentation of the part in order to implement improvements. KP Performance reserves the right to make such changes as required. Unless otherwise stated, all specifications are nominal. KP Performance does not make any representation or warranty regarding the suitability of the part described herein for any particular purpose, and KP Performance does not assume liability arising out of the use of any part or document.

3300-4200 MHz, 18 dBi, Flat Panel Antenna, 45 Deg. Slant Polarized, 2 x N-Type Female Connectors

KP-3DPFP20-V2 CAD Drawing



REVISION		DATE	CHANGED BY	APPROVED BY
ZONE	REV.	DESCRIPTION	DATE	CHANGED BY
	A	INITIAL RELEASE	02/24/2023	KGLEBOVA
				MGARLAPATI

		INTERPRET ALL DIMENSIONS AND TOLERANCES PER ASME Y14.5	
Website: www.kppformance.com Phone: 1.866.404.4859 1.780.702.7577		SCALE	NONE
DESCRIPTION 3.3-4.2 GHZ, 15 DEGREE, 20 DBI, ±45 SLANT POLARIZATION, 2-PORT FLAT PANEL ANTENNA		SHEET	1 OF 1
SIZE	A	CAGE CODE	LOND8
REV	A	ITEM NO.	KP-3DPFP20-V2

THE INFORMATION CONTAINED IN THIS DRAWING IS THE SOLE PROPERTY OF INFINITE ELECTRONICS, INC. ANY REPRODUCTION IN PART OR WHOLE WITHOUT THE WRITTEN PERMISSION OF INFINITE ELECTRONICS, INC. IS PROHIBITED. THESE COMMODITIES, TECHNOLOGY OR SOFTWARE WERE EXPORTED FROM THE UNITED STATES IN ACCORDANCE WITH THE EXPORT ADMINISTRATION REGULATIONS. DIVERSION CONTRARY TO U.S. LAW PROHIBITED.