

2.4 GHz to 2.5 GHz + 5.1 GHz to 7.2 GHz, 6 dBi, 4x4 MIMO Omni Antenna, 4 port RG58 pigtail with RP-TNC Male Connector

**KP-26-QPOMA-6-RTP**



**Features**

- Reverse Polarity TNC (RP-TNC) Male Connector
- Outdoor Rated Omnidirectional Antenna
- 4 x Vertical Polarization
- 4x4 MIMO Functionality
- 2.4 GHz, 5 GHz, 6 GHz WiFi Bands
- 6 dBi gain

**Applications**

- Infotainment systems, Routers, WiFi hotspots, HD video transmission, Gateways, Dash cameras, Public transportation
- WiFi 6e (802.11ax) networks
- Connected cars or self-driving cars, Fleet management, Logistics
- Public Safety Networks
- IoT, Industrial IoT, Zigbee, Bluetooth, WiFi

**Description**

The KP Performance KP-26-QPOMA-6-RTP WiFi 6e 4x4 MIMO Omni Antenna is a high performance omnidirectional antenna designed for the 2400 MHz to 7125 MHz bands and is available to ship same day. It is a UV protected, outdoor rated antenna with omnidirectional pattern. It features 4 (four) pigtailed terminated with Reverse Polarity TNC (RP-TNC) Male connectors for 4x4 MIMO applications. The KP Performance KP-26-QPOMA-6-RTP is ideally suited for 802.11 protocols including 802.11ax as well as IoT, Zigbee and Bluetooth.

The KP Performance high performance omni KP-26-QPOMA-6-RTP is a rugged antenna providing broad coverage, low latency, increased network capacity and 6 dBi gain. This 4 port RP-TNC male omnidirectional antenna is suitable for commercial radios and access points in public and private networks that are equipped with RP-TNC female connectors. KP Performance's KP-26-QPOMA-6-RTP supports 2.4, 5 and 6 GHz bands.

The KP-26-QPOMA-6-RTP omni antenna with 4 RP-TNC male connectors, as well as our wide selection of superior quality RF parts, ships same day. Contact the KP Performance friendly and knowledgeable staff for your answers on any of our antennas.

**Configuration**

Design	Omni
Band Type	Dual
Radiation Pattern	Omni Directional
Polarization	Vertical
Cable Type	RG58/U
Connector Type	TNC Male Reverse Polarity

**Electrical Specifications**

Description	Minimum	Typical	Maximum	Units
Frequency Range	2.4		7.25	GHz
Input VSWR			2:1	
Impedance		50		Ohms
Input Power			50	Watts

**Specifications by Band**

Click the following link (or enter part number in "SEARCH" on website) to obtain additional part information including price, inventory and certifications: [2.4 GHz to 2.5 GHz + 5.1 GHz to 7.2 GHz, 6 dBi, 4x4 MIMO Omni Antenna, 4 port RG58 pigtail with RP-TNC Male Connector KP-26-QPOMA-6-RTP](#)

2.4 GHz to 2.5 GHz + 5.1 GHz to 7.2 GHz, 6 dBi, 4x4 MIMO Omni Antenna, 4 port RG58 pigtail with RP-TNC Male Connector

**KP-26-QPOMA-6-RTP**



Description	Band 1	Band 2	Band 3	Band 4	Band 5	Units
Range	2,400-2,500	5,150-7,250				MHz
Bandwidth	100	2100				MHz
Gain	6	6				dBi
Horizontal HPBW	360	360				Degrees
Vertical HPBW	45	30				Degrees

**Mechanical Specifications**

Radome Material	UV Resistant ABS
<b>Size</b>	
Length	7.1 in [180.34 mm]
Width	5.94 in [150.88 mm]
Height	5.94 in [150.88 mm]
Mounting Mast Diameter	1.57 to 1.96 in [39.88 to 49.78 mm]
Weight	3.52 lbs [1.6 kg]

**Environmental Specifications**

<b>Temperature</b>	
Operating Range	-40 to +70 deg C
Wind Survivability	124 MPH [199.56 KPH]
Humidity	5 to 95 %

**Plotted and Other Data**

Notes:

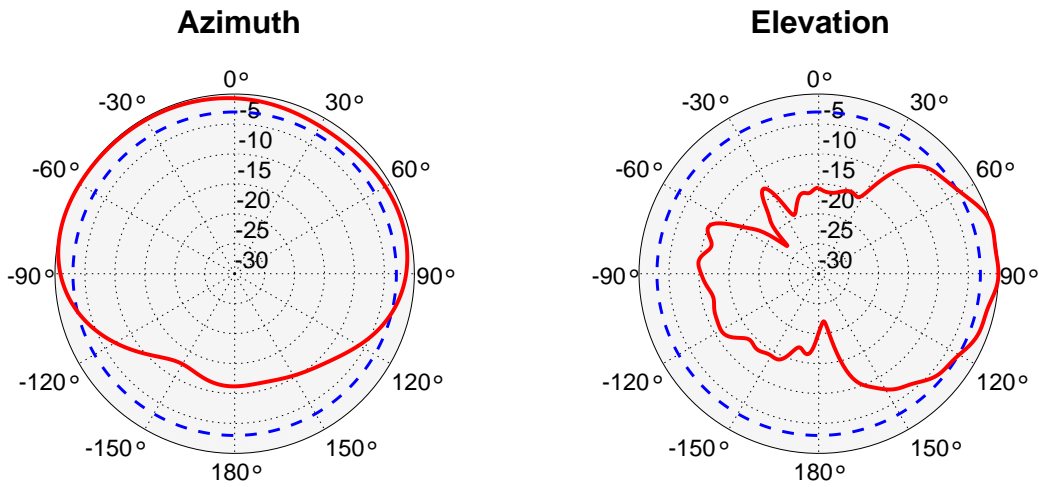
Click the following link (or enter part number in "SEARCH" on website) to obtain additional part information including price, inventory and certifications:  
[2.4 GHz to 2.5 GHz + 5.1 GHz to 7.2 GHz, 6 dBi, 4x4 MIMO Omni Antenna, 4 port RG58 pigtail with RP-TNC Male Connector KP-26-QPOMA-6-RTP](#)

2.4 GHz to 2.5 GHz + 5.1 GHz to 7.2 GHz, 6 dBi, 4x4 MIMO Omni Antenna, 4 port RG58 pigtail with RP-TNC Male Connector

**KP-26-QPOMA-6-RTP**



### Radiation Patterns of 2450 MHz



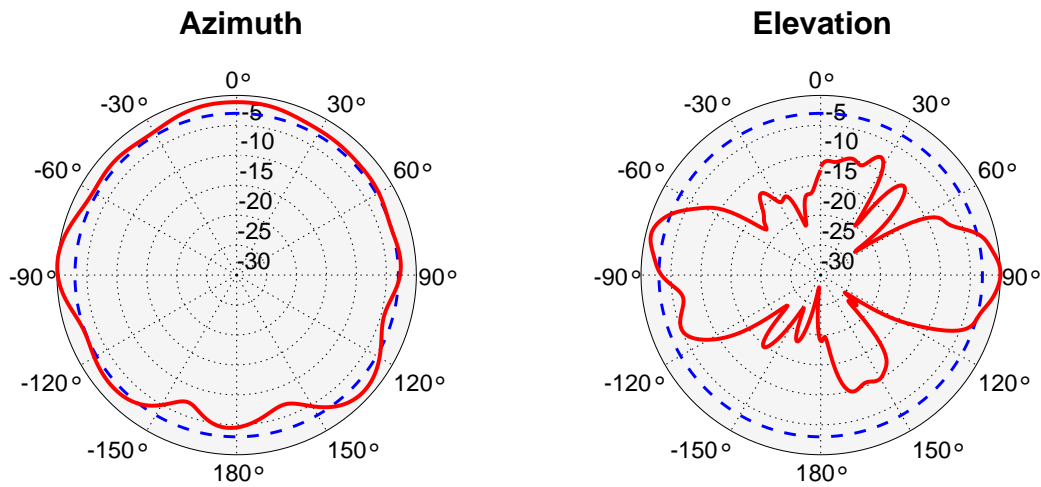
Click the following link (or enter part number in "SEARCH" on website) to obtain additional part information including price, inventory and certifications:  
[2.4 GHz to 2.5 GHz + 5.1 GHz to 7.2 GHz, 6 dBi, 4x4 MIMO Omni Antenna, 4 port RG58 pigtail with RP-TNC Male Connector KP-26-QPOMA-6-RTP](#)

2.4 GHz to 2.5 GHz + 5.1 GHz to 7.2 GHz, 6 dBi, 4x4 MIMO Omni Antenna, 4 port RG58 pigtail with RP-TNC Male Connector

**KP-26-QPOMA-6-RTP**



### Radiation Patterns of 5550 MHz



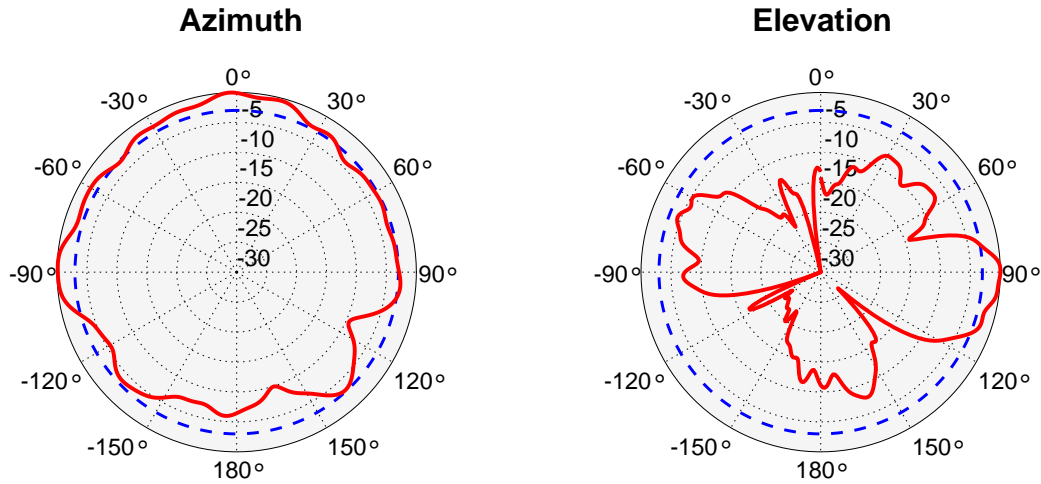
Click the following link (or enter part number in "SEARCH" on website) to obtain additional part information including price, inventory and certifications:  
[2.4 GHz to 2.5 GHz + 5.1 GHz to 7.2 GHz, 6 dBi, 4x4 MIMO Omni Antenna, 4 port RG58 pigtail with RP-TNC Male Connector KP-26-QPOMA-6-RTP](#)

2.4 GHz to 2.5 GHz + 5.1 GHz to 7.2 GHz, 6 dBi, 4x4 MIMO Omni Antenna, 4 port RG58 pigtail with RP-TNC Male Connector

**KP-26-QPOMA-6-RTP**



### Radiation Patterns of 7125 MHz



Click the following link (or enter part number in "SEARCH" on website) to obtain additional part information including price, inventory and certifications:  
[2.4 GHz to 2.5 GHz + 5.1 GHz to 7.2 GHz, 6 dBi, 4x4 MIMO Omni Antenna, 4 port RG58 pigtail with RP-TNC Male Connector KP-26-QPOMA-6-RTP](#)

2.4 GHz to 2.5 GHz + 5.1 GHz to  
7.2 GHz, 6 dBi, 4x4 MIMO Omni Antenna, 4 port  
RG58 pigtail with RP-TNC Male Connector

**KP-26-QPOMA-6-RTP**



---

**Appendix**

**Electrical Downtilt:** Angle in the antenna's elevation pattern in which the maximum gain occurs.

**Gain:** Antenna's average gain.

**Front to Back Ratio @ 180°±30°:** Average difference between the antenna's maximum gain and the maximum gain in the antenna's back lobe over ±30° angles.

**Cross-polarization Ratio (dB):** Typical difference between the co-polarization and cross-polarization gain across the sector's 3 dB Beam Width.

Dedicated to serving the needs of the Wireless Internet Service Provider (WISP) market, KP Performance Antennas offers purpose built products that reliably perform in the field. KP Performance Antennas product line consists of Yagi, Grid, Omni, Dish and other style antennas that operate in the 900 MHz, 2.4 GHz, 3 GHz, and 5 GHz frequencies.

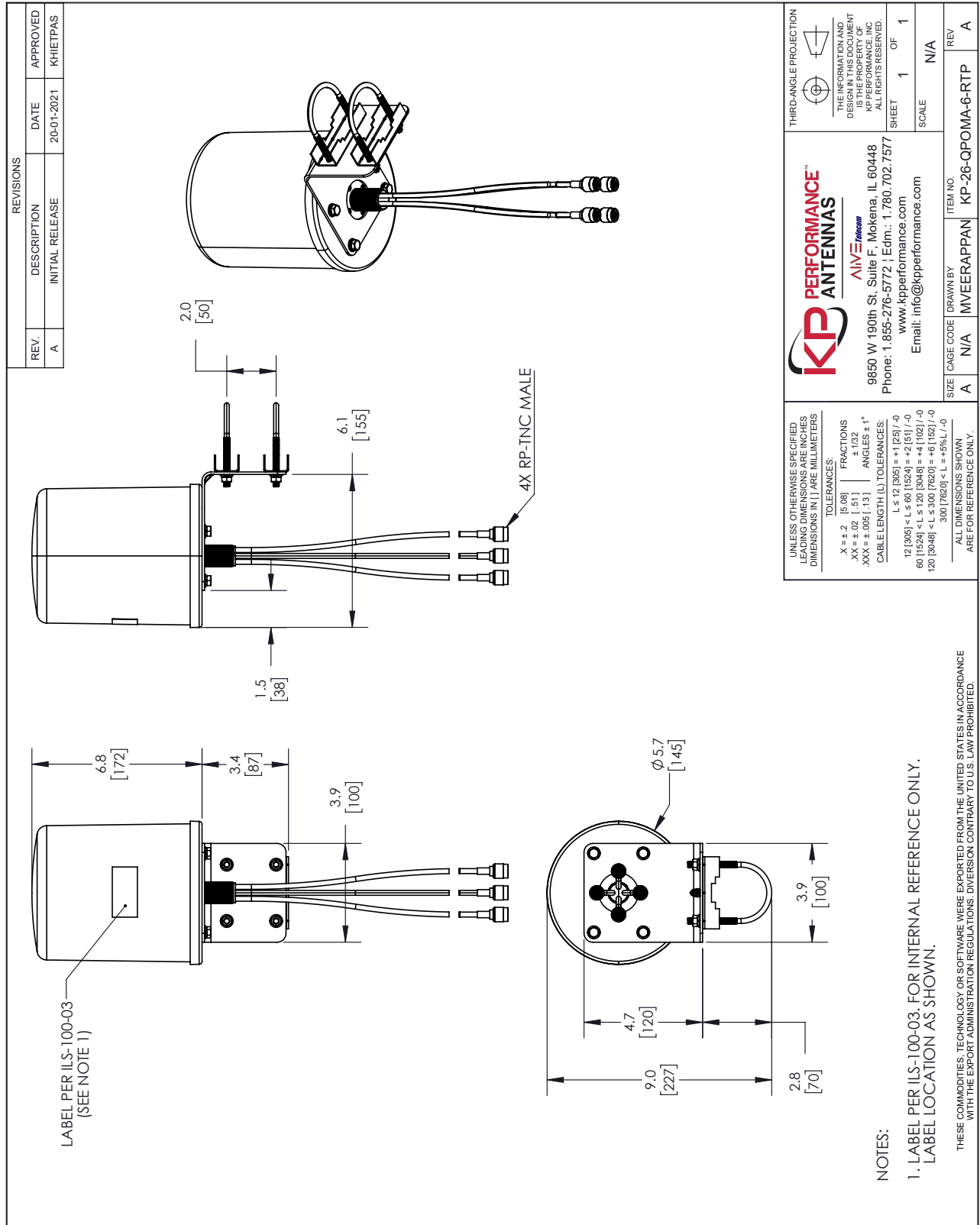
Click the following link (or enter part number in "SEARCH" on website) to obtain additional part information including price, inventory and certifications: [2.4 GHz to 2.5 GHz + 5.1 GHz to 7.2 GHz, 6 dBi, 4x4 MIMO Omni Antenna, 4 port RG58 pigtail with RP-TNC Male Connector KP-26-QPOMA-6-RTP](https://www.kpperformance.com/2.4-ghz-2.5-ghz-5.1-ghz-7.1-ghz-2.5-3.5-dbi-wifi-6e-tilt-swivel-rubber-duck-antenna-sma-male-connector-hg247103rd-sm-p.aspx)

URL: <https://www.kpperformance.com/2.4-ghz-2.5-ghz-5.1-ghz-7.1-ghz-2.5-3.5-dbi-wifi-6e-tilt-swivel-rubber-duck-antenna-sma-male-connector-hg247103rd-sm-p.aspx>

The information contained within this document is accurate to the best of our knowledge and representative of the part described herein. It may be necessary to make modifications to the part and/or the documentation of the part in order to implement improvements. KP Performance reserves the right to make such changes as required. Unless otherwise stated, all specifications are nominal. KP Performance does not make any representation or warranty regarding the suitability of the part described herein for any particular purpose, and KP Performance does not assume liability arising out of the use of any part or document.

2.4 GHz to 2.5 GHz + 5.1 GHz to 7.2 GHz, 6 dBi, 4x4 MIMO Omni Antenna, 4 port RG58 pigtail with RP-TNC Male Connector

**KP-26-QPOMA-6-RTP CAD Drawing**



**KP PERFORMANCE™**  
**ANTENNAS**  
*ALIVE Telecom*

9850 W 190th St, Suite F, Mokena, IL 60448  
 Phone: 1.855-276-5772 | Edm.: 1.780.702.7577  
 www.kpperformance.com  
 Email: info@kpperformance.com

THE INFORMATION AND DIMENSIONS SHOWN HEREIN ARE THE PROPERTY OF KP PERFORMANCE, INC. ALL RIGHTS RESERVED.

SHEET 1 OF 1

SCALE N/A

---

UNLESS OTHERWISE SPECIFIED LEADING DIMENSIONS ARE IN INCHES DIMENSIONS IN [ ] ARE MILLIMETERS

TOLERANCES:

.X ± .2 [5.08]	FRACTIONS ± 1/32	ANGLES ± 1°
.XX ± .02 [1.51]	.XXX ± .005 [1.3]	

CABLE LENGTH (L) TOLERANCES:

L ≤ 12 [305] < L ≤ 60 [1524] = +1 [25] / -0	60 [1524] < L ≤ 120 [3048] = +4 [103] / -0	120 [3048] < L ≤ 300 [7620] = +6 [152] / -0
300 [7620] < L = +5% / L / -0		

ALL DIMENSIONS SHOWN ARE FOR REFERENCE ONLY.

---

SIZE CAGE CODE DRAWN BY ITEM NO. REV

A	N/A	MVEERAPPAN	KP-26-QPOMA-6-RTP	A
---	-----	------------	-------------------	---

NOTES:  
 1. LABEL PER ILS-100-03. FOR INTERNAL REFERENCE ONLY. LABEL LOCATION AS SHOWN.

THESE COMMODITIES, TECHNOLOGY OR SOFTWARE WERE EXPORTED FROM THE UNITED STATES IN ACCORDANCE WITH THE EXPORT ADMINISTRATION REGULATIONS. DIVERSION CONTRARY TO U.S. LAW PROHIBITED.

T-Rev.D