



2.4 GHz and 5.8 GHz, 5/6 dBi, Dual Band Omni Antenna with N-Female Connector

Antennas Technical Data Sheet

KP-25-SPOMA-5-NF

Features

- High Performance in a compact lightweight design
- Durable UV-Stable fiberglass radome with vented end cap and drain holes in base
- All weather operation
- Integral N-Female connector
- Includes mast mounting kit

Applications

- 2.4/4.9/5.1/5.3/5.4/5.8 GHz Wireless LAN systems
- IEEE 802.11a/b/g/n, 802.11ac compatible and 802.11ax (WiFi 6)
- Homeland Security and Public Safety band
- WiMAX and WiFi applications
- Multipoint and mobile applications

Description

The KP-25-SPOMA-5-NF from KP Performance Antenna is an economic yet high performance dual band omnidirectional antenna designed for operation in the 2.4 GHz and 4.9/5.8 GHz frequency bands. Compact and lightweight, it is ideally suited for IEEE 802.11a, 802.11b, 802.11h, 802.11j, 802.11n, 802.11ac, and 802.11ax (WiFi 6) wireless LANs and multipoint and mobile applications where high gain and wide coverage is desired.

The KP-25-SPOMA-5-NF dual band omnidirectional antenna with integrated N-Female bulkhead type connector can mount through the wall of an equipment enclosure. A mast mounting kit which consists of a heavy-duty steel bracket and a pair of U-bolts allows for installations on masts up to 2.0" in diameter.

A vented end cap and drain holes in the base help prevent moisture build-up inside the KP-25-SPOMA-5-NF. These features allow the antenna to be mounted in up or down positions. In addition to shipping the same day, our omnidirectional antennas are high-quality components backed by expert technical support and sales personnel.

Configuration

Design	Omni
Frequency Range	2.4 to 5.85 GHz
Gain	5 to 6 dBi
Polarization	Vertical
Connector Type	N Female
Number of Ports	1
Lightning Protection	DC Short

Electrical Specifications

Description	Minimum	Typical	Maximum	Units
Impedance		50		Ohms
Horizontal (Azimuth) Beam Width		360		Degrees
Vertical (Elevation) Beam Width		45		Degrees
Input Power			50	Watts

Click the following link (or enter part number in "SEARCH" on website) to obtain additional part information including price, inventory and certifications: [2.4 GHz and 5.8 GHz, 5/6 dBi, Dual Band Omni Antenna with N-Female Connector KP-25-SPOMA-5-NF](#)



2.4 GHz and 5.8 GHz, 5/6 dBi, Dual Band Omni
 Antenna with N-Female Connector

Antennas Technical Data Sheet

KP-25-SPOMA-5-NF

VSWR 2.5:1

Specifications by Band

Description	Band 1	Band 2	Band 3	Band 4	Band 5	Units
Range	2,400-2,500	4,900-5,850				MHz
Gain	5	6				dBi
Maximum Input Power	50	50				Watts

Mechanical Specifications

Radome Material Fiberglass

Size

Length 11.6 in [294.64 mm]

Weight 1.3 lbs [589.67 g]

Mounting

Mount Type Mast

Mounting Mast Diameter 2 in [50.80 mm]

Mechanical Specification Notes:

Environmental Specifications

Temperature

Operating Range -40 to +85 deg C

Compliance Certifications (see [product page](#) for current document)

Plotted and Other Data

Notes:

Click the following link (or enter part number in "SEARCH" on website) to obtain additional part information including price, inventory and certifications: [2.4 GHz and 5.8 GHz, 5/6 dBi, Dual Band Omni Antenna with N-Female Connector KP-25-SPOMA-5-NF](#)



2.4 GHz and 5.8 GHz, 5/6 dBi, Dual Band Omni Antenna with N-Female Connector

Antennas Technical Data Sheet

KP-25-SPOMA-5-NF

Dedicated to serving the needs of the Wireless Internet Service Provider (WISP) market, KP Performance Antennas offers purpose built products that reliably perform in the field. KP Performance Antennas product line consists of Yagi, Grid, Omni, Dish and other style antennas that operate in the 900 MHz, 2.4 GHz, 3 GHz, and 5 GHz frequencies.

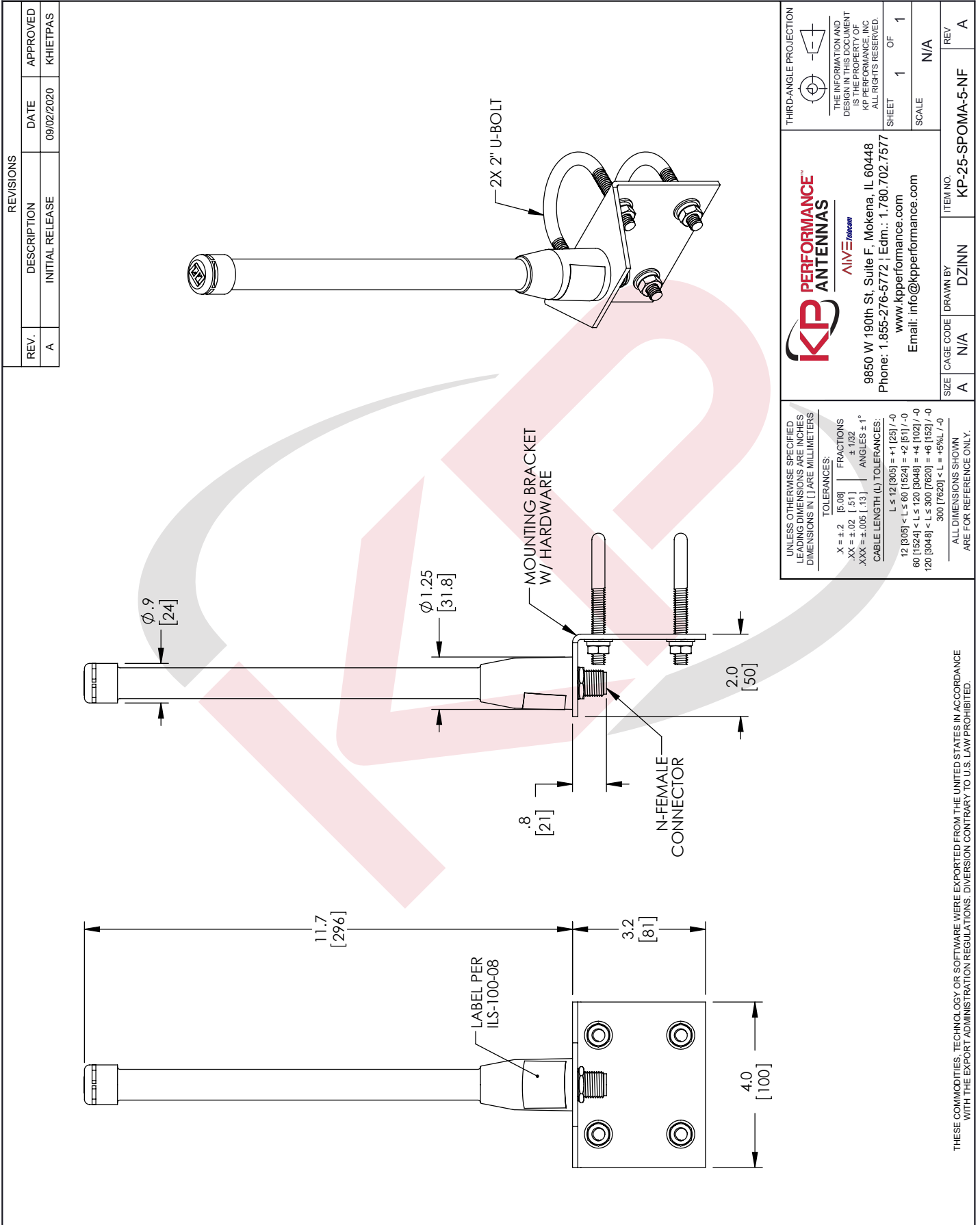
Click the following link (or enter part number in "SEARCH" on website) to obtain additional part information including price, inventory and certifications: [2.4 GHz and 5.8 GHz, 5/6 dBi, Dual Band Omni Antenna with N-Female Connector KP-25-SPOMA-5-NF](https://www.kpperformance.com/2-4ghz-and-5-8ghz-6dbi-dual-band-omni-antenna-n-female-connector-kp-25-spoma-5-nf)

URL: <https://www.kpperformance.com/2-4ghz-and-5-8ghz-6dbi-dual-band-omni-antenna-n-female-connector-kp-25-spoma-5-nf-p.aspx>

The information contained in this document is accurate to the best of our knowledge and representative of the part described herein. It may be necessary to make modifications to the part and/or the documentation of the part, in order to implement improvements. KP Performance reserves the right to make such changes as required. Unless otherwise stated, all specifications are nominal. KP Performance does not make any representation or warranty regarding the suitability of the part described herein for any particular purpose, and KP Performance does not assume any liability arising out of the use of any part or documentation.

KP-25-SPOMA-5-NF CAD Drawing

2.4 GHz and 5.8 GHz, 5/6 dBi, Dual Band Omni Antenna with N-Female Connector



REVISIONS			
REV.	DESCRIPTION	DATE	APPROVED
A	INITIAL RELEASE	09/02/2020	KHIETPAS

UNLESS OTHERWISE SPECIFIED LEADING DIMENSIONS ARE INCHES DIMENSIONS IN [] ARE MILLIMETERS

TOLERANCES:

X = ±.2	[5.08]	FRACTIONS	
XX = ±.02	[.51]		+1/32
XXX = ±.005	[.13]	ANGLES ± 1°	

CABLE LENGTH (L) TOLERANCES:

L ≤ 12	[305]	= +1 [25] / -0
12 [305] < L ≤ 60	[1524]	= +2 [51] / -0
60 [1524] < L ≤ 120	[3048]	= +4 [102] / -0
120 [3048] < L ≤ 300	[7620]	= +8 [152] / -0
300 [7620] < L		= +8% / -0

ALL DIMENSIONS SHOWN ARE FOR REFERENCE ONLY.

THIRD-ANGLE PROJECTION

THE INFORMATION AND DESIGN IN THIS DOCUMENT IS THE PROPERTY OF KP PERFORMANCE, INC. ALL RIGHTS RESERVED.

SHEET 1 OF 1

SCALE N/A

KP PERFORMANCE™
AIVE Telecom

9850 W 190th St, Suite F, Mokena, IL 60448
Phone: 1.855-276-5772 | Edm.: 1.780.702.7577
www.kpperformance.com
Email: info@kpperformance.com

SIZE	CAGE CODE	DRAWN BY	ITEM NO.
A	N/A	DZINN	KP-25-SPOMA-5-NF

REV A

THESE COMMODITIES, TECHNOLOGY OR SOFTWARE WERE EXPORTED FROM THE UNITED STATES IN ACCORDANCE WITH THE EXPORT ADMINISTRATION REGULATIONS. DIVERSION CONTRARY TO U.S. LAW PROHIBITED.

T1Rev D