

2.4 GHz to 2.5 GHz + 5.1 GHz to 5.8 GHz, 6 dBi, 8x8 MIMO  
 Flat Panel Antenna, 8 port with N Female Connector

**KP-25-8PFP-6-NF**



**Features**

- N Female Connector
- Outdoor Rated Panel Antenna
- 4 x Vertical + 4 x Horizontal Polarization
- 8x8 MIMO Functionality
- 2.4 GHz, 5 GHz WiFi Bands
- 6 dBi gain

**Applications**

- Infotainment systems, Routers, WiFi hotspots, HD video transmission, Gateways, Dash cameras, Public transportation
- WiFi 6 (802.11ax) networks
- Connected cars or self-driving cars, Fleet management, Logistics
- IoT, Zigbee, Bluetooth, WiFi

**Description**

The KP Performance KP-25-8PFP-6-NF 8x8 MIMO WiFi 6 Flat Panel Antenna is a high performance directional antenna designed for the 2400 MHz to 5800 MHz bands and is available to ship same day. It is a UV protected, outdoor rated antenna with 60 degree horizontal half power beamwidth. It features 8 (eight) pigtailed terminated with Type N Female connectors for 8x8 MIMO applications. The KP Performance KP-25-8PFP-6-NF is ideally suited for WiFi Hotspots (IEEE 802.11ax/ac/n/b/g) as well as IoT, Zigbee and Bluetooth.

The high performance flat panel KP-25-8PFP-6-NF from KP Performance is a rugged antenna providing broad coverage, increased network capacity, low latency and 6 dBi gain. This 8 port N Type Female flat panel directional antenna is suitable for commercial radios and access points in public and private networks that are equipped with N Male connectors. The KP-25-8PFP-6-NF supports 2.4 and 5 GHz bands.

The KP-25-8PFP-6-NF 60 degree WiFi 6 flat panel antenna with 8 N Type Female connectors, as well as our wide selection of superior quality RF parts, ships same day. Contact the KP Performance friendly and knowledgeable staff for your answers on any of our antennas.

**Configuration**

Design	Flat Panel
Band Type	Dual
Radiation Pattern	Directional
Polarization	Vertical and Horizontal
Cable Type	RG58
Connector Type	N Female

**Electrical Specifications**

Description	Minimum	Typical	Maximum	Units
Frequency Range	2.4		5.85	GHz
Input VSWR			2:1	
Impedance		50		Ohms
Port to Port Isolation		30		dB
Input Power			50	Watts

**Specifications by Band**

Click the following link (or enter part number in "SEARCH" on website) to obtain additional part information including price, inventory and certifications:  
[2.4 GHz to 2.5 GHz + 5.1 GHz to 5.8 GHz, 6 dBi, 8x8 MIMO Flat Panel Antenna, 8 port with N Female Connector KP-25-8PFP-6-NF](#)

2.4 GHz to 2.5 GHz + 5.1 GHz to 5.8 GHz, 6 dBi, 8x8 MIMO  
 Flat Panel Antenna, 8 port with N Female Connector

**KP-25-8PFP-6-NF**



Description	Band 1	Band 2	Band 3	Band 4	Band 5	Units
Range	2,400-2,500	5,150-5,850				MHz
Gain	6	6				dBi
Horizontal HPBW	65	55				Degrees
Vertical HPBW	65	60				Degrees
Front to Back Ratio	20	20				dB

**Mechanical Specifications**

Radome Material	UV Resistant ABS
<b>Size</b>	
Length	17.7 in [449.58 mm]
Width	17.7 in [449.58 mm]
Height	1.6 in [40.64 mm]
Mounting Mast Diameter	1.57 to 2.36 in [39.88 to 59.94 mm]
Weight	4.62 lbs [2.1 kg]

**Environmental Specifications**

<b>Temperature</b>	
Operating Range	-40 to +70 deg C
Wind Survivability	100 MPH [160.93 KPH]
Humidity	5 to 95 %

**Plotted and Other Data**

Notes:

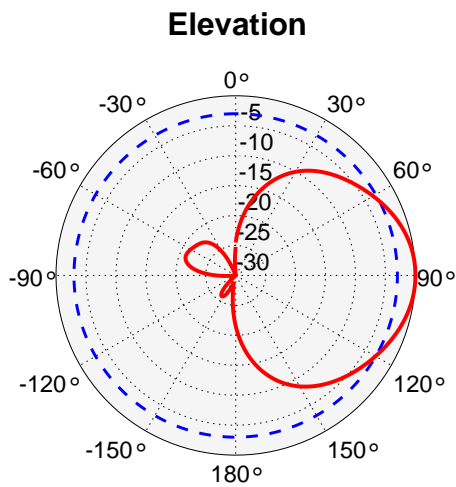
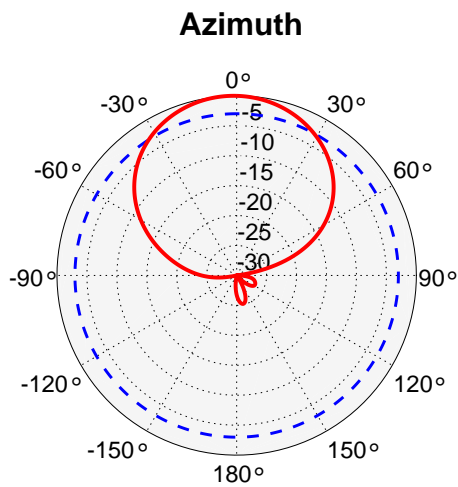
Click the following link (or enter part number in "SEARCH" on website) to obtain additional part information including price, inventory and certifications:  
[2.4 GHz to 2.5 GHz + 5.1 GHz to 5.8 GHz, 6 dBi, 8x8 MIMO Flat Panel Antenna, 8 port with N Female Connector KP-25-8PFP-6-NF](#)

2.4 GHz to 2.5 GHz + 5.1 GHz to 5.8 GHz, 6 dBi, 8x8 MIMO  
Flat Panel Antenna, 8 port with N Female Connector

**KP-25-8PFP-6-NF**



### Radiation Patterns of 2450 MHz



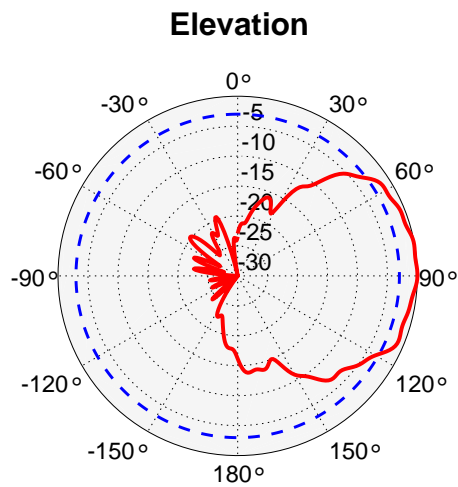
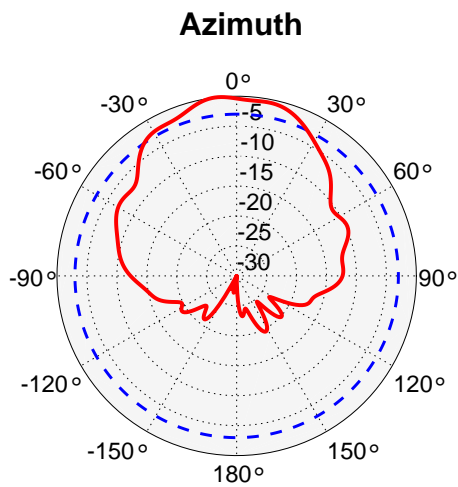
Click the following link (or enter part number in "SEARCH" on website) to obtain additional part information including price, inventory and certifications:  
[2.4 GHz to 2.5 GHz + 5.1 GHz to 5.8 GHz, 6 dBi, 8x8 MIMO Flat Panel Antenna, 8 port with N Female Connector KP-25-8PFP-6-NF](#)

2.4 GHz to 2.5 GHz + 5.1 GHz to 5.8 GHz, 6 dBi, 8x8 MIMO  
Flat Panel Antenna, 8 port with N Female Connector

**KP-25-8PFP-6-NF**



### Radiation Patterns of 5550 MHz



Click the following link (or enter part number in "SEARCH" on website) to obtain additional part information including price, inventory and certifications:  
[2.4 GHz to 2.5 GHz + 5.1 GHz to 5.8 GHz, 6 dBi, 8x8 MIMO Flat Panel Antenna, 8 port with N Female Connector KP-25-8PFP-6-NF](#)

2.4 GHz to 2.5 GHz + 5.1 GHz to 5.8 GHz, 6 dBi, 8x8 MIMO  
Flat Panel Antenna, 8 port with N Female Connector

**KP-25-8PFP-6-NF**



## Appendix

**Electrical Downtilt:** Angle in the antenna's elevation pattern in which the maximum gain occurs.

**Gain:** Antenna's average gain.

**Front to Back Ratio @ 180°±30°:** Average difference between the antenna's maximum gain and the maximum gain in the antenna's back lobe over ±30° angles.

**Cross-polarization Ratio (dB):** Typical difference between the co-polarization and cross-polarization gain across the sector's 3 dB Beam Width.

Dedicated to serving the needs of the Wireless Internet Service Provider (WISP) market, KP Performance Antennas offers purpose built products that reliably perform in the field. KP Performance Antennas product line consists of Yagi, Grid, Omni, Dish and other style antennas that operate in the 900 MHz, 2.4 GHz, 3 GHz, and 5 GHz frequencies.

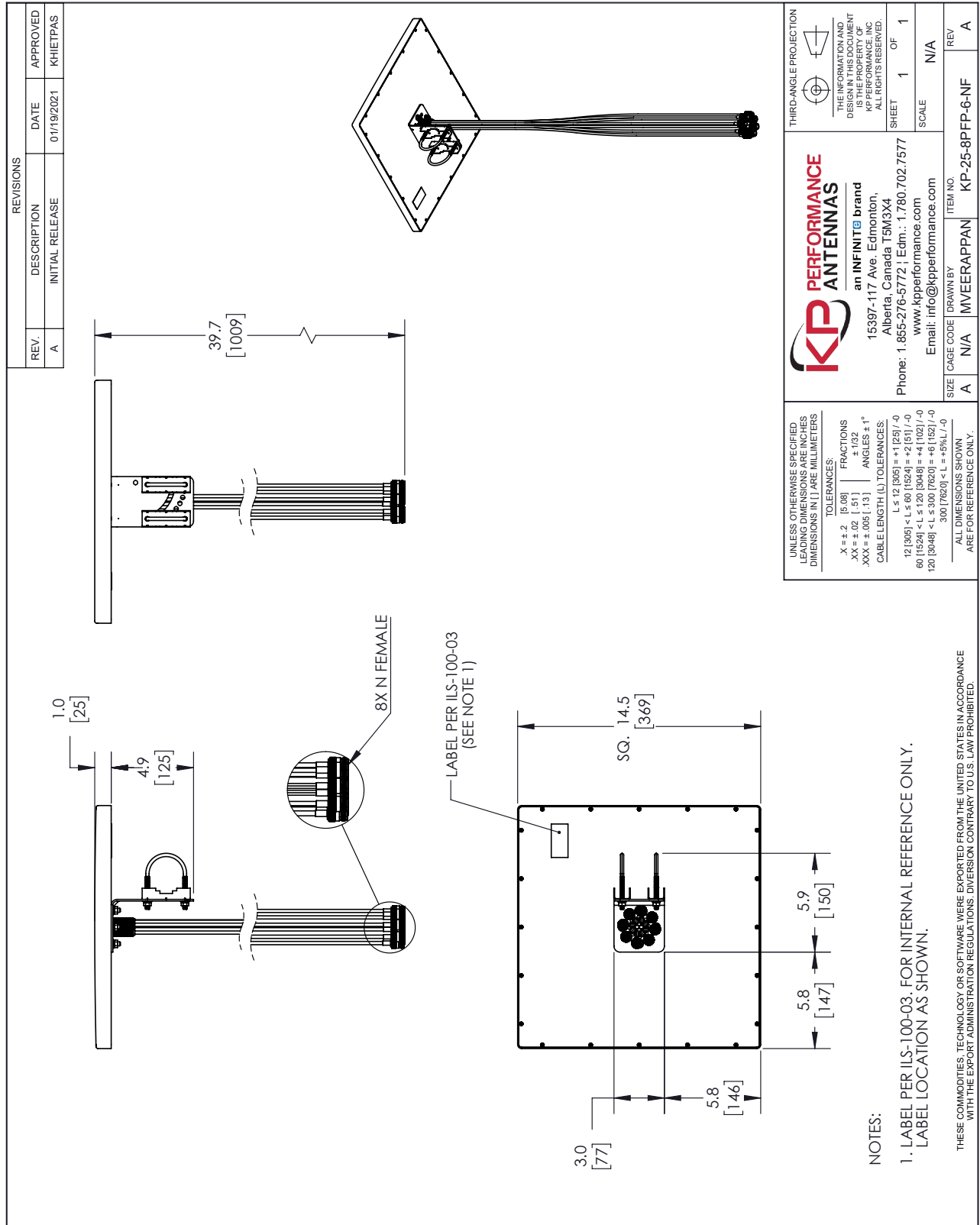
Click the following link (or enter part number in "SEARCH" on website) to obtain additional part information including price, inventory and certifications: [2.4 GHz to 2.5 GHz + 5.1 GHz to 5.8 GHz, 6 dBi, 8x8 MIMO Flat Panel Antenna, 8 port with N Female Connector KP-25-8PFP-6-NF](https://www.kpperformance.com/2.4-ghz-2.5-ghz-5.1-ghz-7.1-ghz-2.5-3.5-dbi-wifi-6e-tilt-swivel-rubber-duck-antenna-sma-male-connector-hg247103rd-sm-p.aspx)

URL: <https://www.kpperformance.com/2.4-ghz-2.5-ghz-5.1-ghz-7.1-ghz-2.5-3.5-dbi-wifi-6e-tilt-swivel-rubber-duck-antenna-sma-male-connector-hg247103rd-sm-p.aspx>

The information contained within this document is accurate to the best of our knowledge and representative of the part described herein. It may be necessary to make modifications to the part and/or the documentation of the part in order to implement improvements. KP Performance reserves the right to make such changes as required. Unless otherwise stated, all specifications are nominal. KP Performance does not make any representation or warranty regarding the suitability of the part described herein for any particular purpose, and KP Performance does not assume liability arising out of the use of any part or document.

2.4 GHz to 2.5 GHz + 5.1 GHz to 5.8 GHz, 6 dBi, 8x8 MIMO Flat Panel Antenna, 8 port with N Female Connector

KP-25-8PFP-6-NF CAD Drawing



REVISIONS		
REV.	DESCRIPTION	DATE
A	INITIAL RELEASE	01/19/2021
		APPROVED
		KHIETPAS

UNLESS OTHERWISE SPECIFIED LEADING DIMENSIONS ARE IN INCHES DIMENSIONS IN [ ] ARE MILLIMETERS

TOLERANCES:

.X ± .2 [5.08] FRACTIONS ± 1/32  
 .XX ± .02 [ .51 ] ± 1/32  
 .XXX ± .005 [ .13 ] ANGLES ± 1°

CABLE LENGTH (L) TOLERANCES:  
 L ≤ 12 [305] = ± 1 [25] / -0  
 12 [305] < L ≤ 60 [1524] = +2 [51] / -0  
 60 [1524] < L ≤ 120 [3048] = +4 [102] / -0  
 120 [3048] < L ≤ 300 [7620] = +6 [152] / -0  
 300 [7620] < L = +5% / L / -0

ALL DIMENSIONS SHOWN ARE FOR REFERENCE ONLY.

THIRD-ANGLE PROJECTION

THE INFORMATION AND DIMENSIONS SHOWN HEREIN IS THE PROPERTY OF KP PERFORMANCE, INC. ALL RIGHTS RESERVED.

SHEET 1 OF 1

SCALE N/A

REV A

ITEM NO. KP-25-8PFP-6-NF

DRAWN BY MVEERAPPAN

SIZE A

CAGE CODE N/A

PHONE: 1.855-276-5772 | Edm.: 1.780.702.7577

www.kpperformance.com

Email: info@kpperformance.com

an INFINIT brand

15397-117 Ave. Edmonton, Alberta, Canada T5M3X4

**KP PERFORMANCE ANTENNAS**

NOTES:  
 1. LABEL PER ILS-100-03. FOR INTERNAL REFERENCE ONLY. LABEL LOCATION AS SHOWN.

THESE COMMODITIES, TECHNOLOGY OR SOFTWARE WERE EXPORTED FROM THE UNITED STATES IN ACCORDANCE WITH THE EXPORT ADMINISTRATION REGULATIONS. DIVERSION CONTRARY TO U.S. LAW PROHIBITED.

T-Rev.D