

2.4 GHz to 2.5 GHz and 3.3 GHz to 3.8 GHz Dual Band
Omni Antenna, 10 dBi to 11.5 dBi, 4-Port, H/V Polarization

KP-23DOMNI-HV

Configuration

| | |
|-------------------|---------------------|
| Design | Omni |
| Band Type | Dual |
| Radiation Pattern | Omni Directional |
| Polarization | Vertical/Horizontal |
| Connector Type | N Female |
| Interface 2 | N Female |
| Interface 3 | N Female |
| Interface 4 | N Female |
| Number of Ports | 4 |

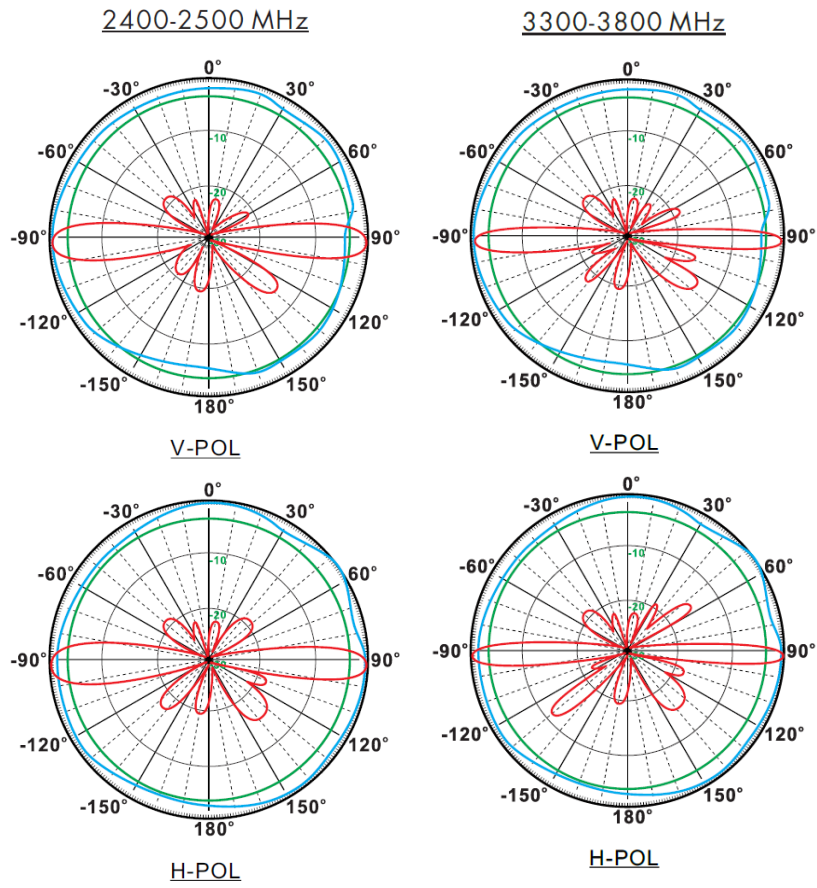
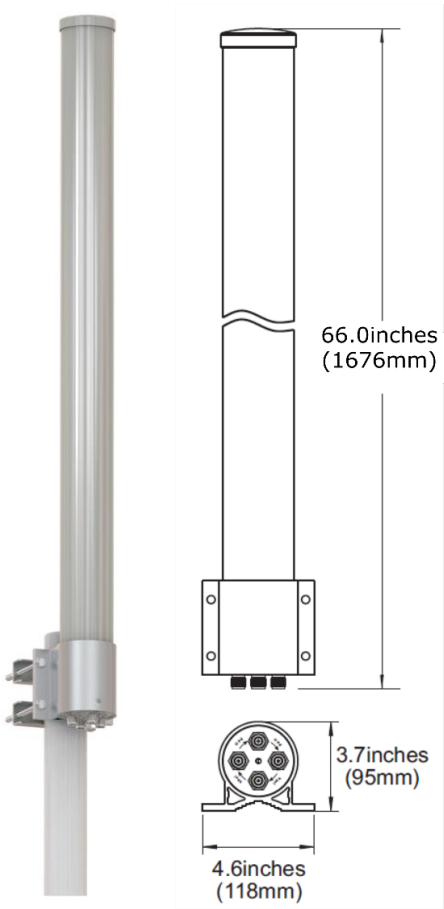
Electrical Specifications

| Description | Minimum | Typical | Maximum | Units |
|---------------------------|---------|---------|---------|---------|
| Frequency Range | 2,400 | | 3,800 | MHz |
| Impedance | | 50 | | Ohms |
| Horizontal (Azimuth) HPBW | | 360 | | Degrees |
| Vertical (Elevation) HPBW | | 10 | | Degrees |
| Input Power | | | 100 | Watts |

Click the following link (or enter part number in "SEARCH" on website) to obtain additional part information including price, inventory and certifications:
[2.4 GHz to 2.5 GHz and 3.3 GHz to 3.8 GHz Dual Band Omni Antenna, 10 dBi to 11.5 dBi, 4-Port, H/V Polarization KP-23DOMNI-HV](#)

2.4 GHz to 2.5 GHz and 3.3 GHz to 3.8 GHz Dual Band
Omni Antenna, 10 dBi to 11.5 dBi, 4-Port, H/V Polarization

KP-23DOMNI-HV



Specifications by Band

Click the following link (or enter part number in "SEARCH" on website) to obtain additional part information including price, inventory and certifications:
[2.4 GHz to 2.5 GHz and 3.3 GHz to 3.8 GHz Dual Band Omni Antenna, 10 dBi to 11.5 dBi, 4-Port, H/V Polarization KP-23DOMNI-HV](#)

2.4 GHz to 2.5 GHz and 3.3 GHz to 3.8 GHz Dual Band Omni Antenna, 10 dBi to 11.5 dBi, 4-Port, H/V Polarization

KP-23DOMNI-HV

| Description | Band 1 | Band 2 | Band 3 | Band 4 | Band 5 | Units |
|------------------------|------------|------------|--------|--------|--------|---------|
| Range | 2.4 to 2.5 | 3.3 to 3.8 | | | | GHz |
| Gain | 10 | 11.5 | | | | dBi |
| Horizontal HPBW | 360 | 360 | | | | Degrees |
| Vertical HPBW | 10 | 7.5 | | | | Degrees |
| Electrical Downtilt | 2 | 2 | | | | Degrees |
| Cross Polar Ratio HPBW | 20 | 20 | | | | dB |
| VSWR Max | 2:1 | 2:1 | | | | |
| Maximum Input Power | 100 | 100 | | | | Watts |

Mechanical Specifications

| | |
|--|-----------------------------------|
| Radome Material | PVC |
| Housing Plating/Color | Powder Coat |
| Size | |
| Length | 66 in [167.64 cm] |
| Width | 3.3 in [83.82 mm] |
| Mounting Mast Diameter | 1.6 to 2.4 in [40.64 to 60.96 mm] |
| Weight | 11.45 lbs [5.19 kg] |
| Mechanical Specification Notes: | |
| UV protection is UV resistant powder coat. | |

Environmental Specifications

| | |
|--------------------|----------------------|
| Temperature | |
| Operating Range | -40 to +65 deg C |
| Wind Survivability | 130 MPH [209.21 KPH] |
| Wind Loading | |

Compliance Certifications (see [product page](#) for current document)

| | |
|-----------|------|
| IP Rating | IP55 |
|-----------|------|

Plotted and Other Data

Notes:

Click the following link (or enter part number in "SEARCH" on website) to obtain additional part information including price, inventory and certifications:
[2.4 GHz to 2.5 GHz and 3.3 GHz to 3.8 GHz Dual Band Omni Antenna, 10 dBi to 11.5 dBi, 4-Port, H/V Polarization KP-23DOMNI-HV](#)

2.4 GHz to 2.5 GHz and 3.3 GHz to 3.8 GHz Dual Band Omni Antenna, 10 dBi to 11.5 dBi, 4-Port, H/V Polarization

KP-23DOMNI-HV

Appendix

Electrical Downtilt: Angle in the antenna's elevation pattern in which the maximum gain occurs.

Gain: Antenna's average gain.

Front to Back Ratio @ 180°±30°: Average difference between the antenna's maximum gain and the maximum gain in the antenna's back lobe over ±30° angles.

Cross-polarization Ratio (dB): Typical difference between the co-polarization and cross-polarization gain across the sector's 3 dB Beam Width.

Dedicated to serving the needs of the Wireless Internet Service Provider (WISP) market, KP Performance Antennas offers purpose built products that reliably perform in the field. KP Performance Antennas product line consists of Yagi, Grid, Omni, Dish and other style antennas that operate in the 900 MHz, 2.4 GHz, 3 GHz, and 5 GHz frequencies.

Click the following link (or enter part number in "SEARCH" on website) to obtain additional part information including price, inventory and certifications: [2.4 GHz to 2.5 GHz and 3.3 GHz to 3.8 GHz Dual Band Omni Antenna, 10 dBi to 11.5 dBi, 4-Port, H/V Polarization KP-23DOMNI-HV](#)

URL: <https://www.kpperformance.com/2ghz-and-3ghz-dual-band-omni-antenna-10dbi-11dbi-4port-hv-polarization-p.aspx>

The information contained within this document is accurate to the best of our knowledge and representative of the part described herein. It may be necessary to make modifications to the part and/or the documentation of the part in order to implement improvements. KP Performance reserves the right to make such changes as required. Unless otherwise stated, all specifications are nominal. KP Performance does not make any representation or warranty regarding the suitability of the part described herein for any particular purpose, and KP Performance does not assume liability arising out of the use of any part or document.