

3300-4200 MHz, 16.5 dBi, Sector Panel Antenna, 45 Deg. Slant Polarized, 2 x N-Type Female Connectors

KPPA-3GHZDP90S-45-V2



Features

- 3300 MHz to 4200 MHz, 16 dBi gain
- 90 deg. beamwidth sector antenna
- 2 x N-type female connector
- Weather proof - UV resistant PVC radome
- Dual slant polarization (+/- 45 deg.)
- VSWR < 2:1
- 100 W max input power per port

Applications

- Long distance backhaul
- Point to point data links (PtP)
- Point to multi-point data links (PtMP)
- Standard C-band and extended C-band
- 5G bands - n77, n78
- MIMO capability
- CBRS and extended CBRS
- 3 GHz WISP and LTE network

Description

The KP Performance KPPA-3GHZDP90S-45-V2 2-port MIMO sector panel 5G antenna has a frequency range of 3300 – 4200 MHz. This N-Type female connector directional antenna supports the latest C bands and CBRS bands for 5G. This 16.5 dBi Omni 5G antenna includes a LMR200 cable type.

The KPPA-3GHZDP90S-45-V2 MIMO sector panel 5G antenna has 45 deg. slant polarization band. The N-type Omni 5G antenna is available in 85-degree horizontal and 6-degree vertical HPBW. This 2-port single band directional antenna is made-up of PVC radome material, and is DC grounded for lightning protection. The 3300 – 4200 MHz N-Type female connectorized C-band antenna has 50 Ohms impedance and 100 Watts maximum input power.

This KPPA-3GHZDP90S-45-V2 3300 – 4200 MHz gray C-band antenna has a mounting mast diameter ranging from 1.18 to 2.36 inches. This N-type directional antenna can operate at a temperature ranging from -40 to 60 °C. This 16.5 dBi Omni 5G antenna is suitable for use in the commercial, enterprise, C-Band, CBRS, and 5G bands in the telecom sector.

KP Performance has the largest in-stock selection of MIMO sector panel 5G antenna with the same-day shipment. Make your online purchase right now to take advantage of our same-day shipping. For further information on similar products, our expert technical support and knowledgeable sales team can help you get the perfect 3300 – 4200 MHz antenna for your requirements.

Configuration

Design	Panel
Application Band	MIMO
Band Type	Single
Radiation Pattern	Directional
Polarization	45 Deg. Slant
Connector Type	N Female
Interface 2	N Female
Number of Ports	2
Lightning Protection	DC Grounded

Electrical Specifications

Description	Minimum	Typical	Maximum	Units
Frequency Range	3,300		4,200	MHz
Input VSWR			2:1	

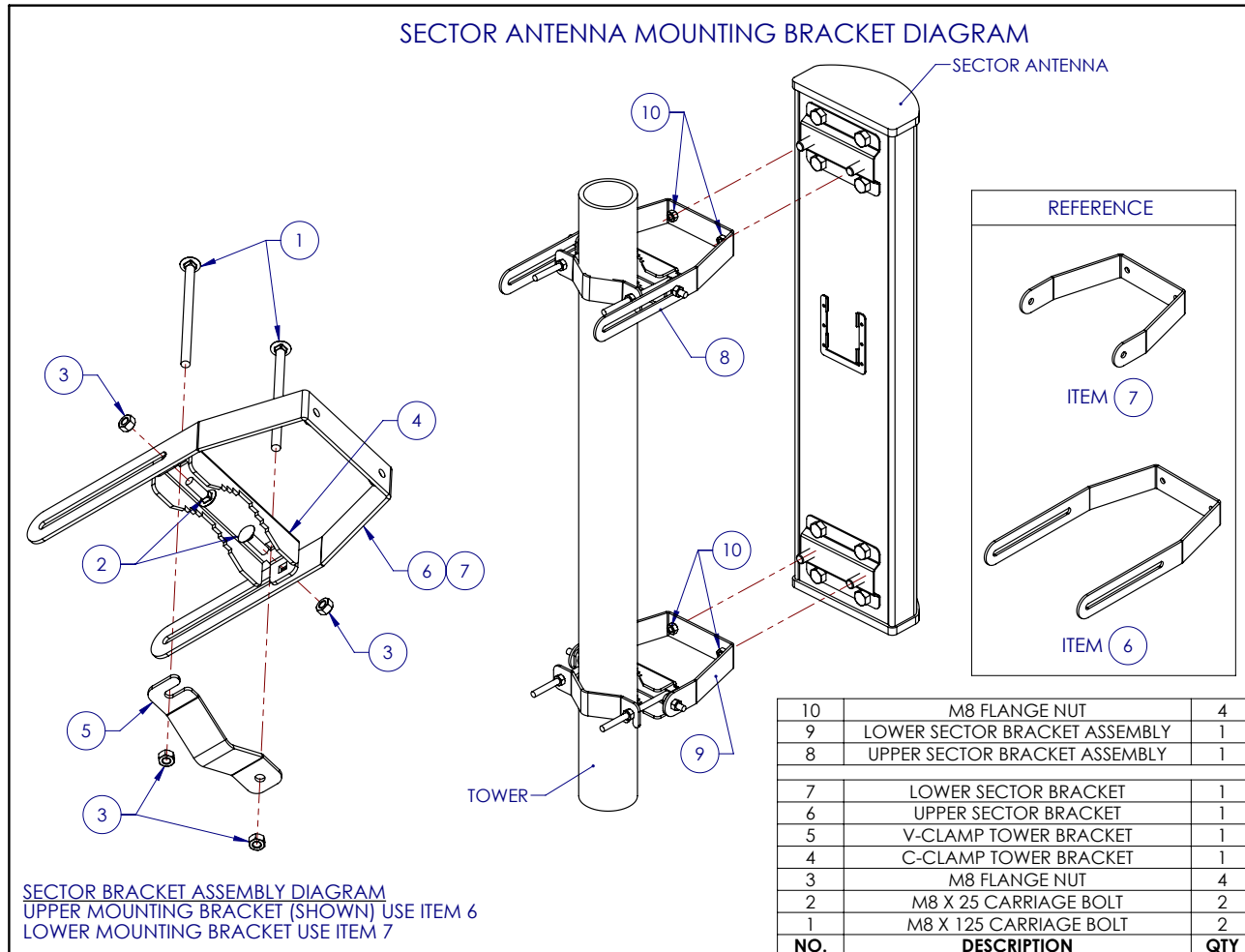
Click the following link (or enter part number in "SEARCH" on website) to obtain additional part information including price, inventory and certifications: [3300-4200 MHz, 16.5 dBi, Sector Panel Antenna, 45 Deg. Slant Polarized, 2 x N-Type Female Connectors KPPA-3GHZDP90S-45-V2](#)

3300-4200 MHz, 16.5 dBi, Sector Panel Antenna, 45 Deg. Slant Polarized, 2 x N-Type Female Connectors

KPPA-3GHZDP90S-45-V2



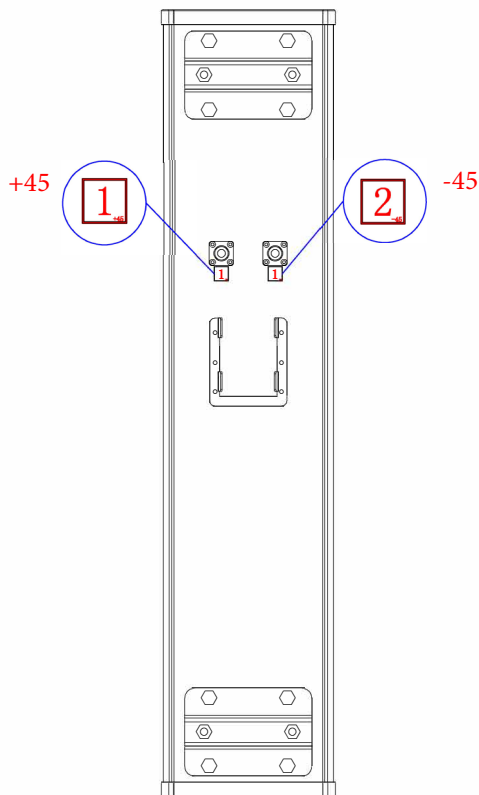
Impedance		50		Ohms
Gain	16		16.5	dBi
Front to Back Ratio	28			dB
Input Power			100	Watts



Click the following link (or enter part number in "SEARCH" on website) to obtain additional part information including price, inventory and certifications:
[3300-4200 MHz, 16.5 dBi, Sector Panel Antenna, 45 Deg. Slant Polarized, 2 x N-Type Female Connectors KPPA-3GHZDP90S-45-V2](#)

3300-4200 MHz, 16.5 dBi, Sector Panel Antenna, 45 Deg.
Slant Polarized, 2 x N-Type Female Connectors

KPPA-3GHZDP90S-45-V2



Specifications by Band

Click the following link (or enter part number in "SEARCH" on website) to obtain additional part information including price, inventory and certifications:
[3300-4200 MHz, 16.5 dBi, Sector Panel Antenna, 45 Deg. Slant Polarized, 2 x N-Type Female Connectors KPPA-3GHZDP90S-45-V2](#)

3300-4200 MHz, 16.5 dBi, Sector Panel Antenna, 45 Deg. Slant Polarized, 2 x N-Type Female Connectors

KPPA-3GHZDP90S-45-V2



Description	Band 1	Band 2	Band 3	Band 4	Band 5	Units
Range	3.3 to 3.55	3.55 to 3.8	3.8 to 4.3			GHz
Gain	16	16	16.5			dBi
Horizontal HPBW	85	80	80			Degrees
Vertical HPBW	6	5	6			Degrees
Electrical Downtilt	0	0	0			Degrees
Port to Port Isolation	27	23	30			dB
Front to Back Ratio	28	28	28			dB
VSWR Max	2:1	2:1	2:1			
Maximum Input Power	100	100	100			Watts

Mechanical Specifications

Radome Material	PVC
Size	
Length	23.622 in [600 mm]
Width	7.09 in [180.09 mm]
Height	3.15 in [80.01 mm]
Mounting Mast Diameter	1.18 to 2.36 in [29.97 to 59.94 mm]
Weight	7.7175 lbs [3.5 kg]

Environmental Specifications

Temperature	
Operating Range	-40 to +60 deg C
Wind Survivability	134 MPH [215.65 KPH]
Wind Loading	

Plotted and Other Data

Notes:

Click the following link (or enter part number in "SEARCH" on website) to obtain additional part information including price, inventory and certifications:
[3300-4200 MHz, 16.5 dBi, Sector Panel Antenna, 45 Deg. Slant Polarized, 2 x N-Type Female Connectors KPPA-3GHZDP90S-45-V2](#)

3300-4200 MHz, 16.5 dBi, Sector Panel Antenna, 45 Deg.
Slant Polarized, 2 x N-Type Female Connectors

KPPA-3GHZDP90S-45-V2



Appendix

Electrical Downtilt: Angle in the antenna's elevation pattern in which the maximum gain occurs.

Gain: Antenna's average gain.

Front to Back Ratio @ 180°±30°: Average difference between the antenna's maximum gain and the maximum gain in the antenna's back lobe over ±30° angles.

Cross-polarization Ratio (dB): Typical difference between the co-polarization and cross-polarization gain across the sector's 3 dB Beam Width.

Dedicated to serving the needs of the Wireless Internet Service Provider (WISP) market, KP Performance Antennas offers purpose built products that reliably perform in the field. KP Performance Antennas product line consists of Yagi, Grid, Omni, Dish and other style antennas that operate in the 900 MHz, 2.4 GHz, 3 GHz, and 5 GHz frequencies.

Click the following link (or enter part number in "SEARCH" on website) to obtain additional part information including price, inventory and certifications: [3300-4200 MHz, 16.5 dBi, Sector Panel Antenna, 45 Deg. Slant Polarized, 2 x N-Type Female Connectors KPPA-3GHZDP90S-45-V2](https://www.kpperformance.com/3300-4200-mhz-16.5-dbi-sector-panel-antenna-45-deg.-slant-polarized-2-x-n-type-female-connectors-kppa-3ghzdp90s-45-v2)

URL: <https://www.kpperformance.com/3300-4200-mhz-16.5-dbi-sector-panel-antenna-45-deg.-slant-polarized-2-x-n-type-female-connectors-kppa-3ghzdp90s-45-v2-p.aspx>

The information contained within this document is accurate to the best of our knowledge and representative of the part described herein. It may be necessary to make modifications to the part and/or the documentation of the part in order to implement improvements. KP Performance reserves the right to make such changes as required. Unless otherwise stated, all specifications are nominal. KP Performance does not make any representation or warranty regarding the suitability of the part described herein for any particular purpose, and KP Performance does not assume liability arising out of the use of any part or document.

KPPA-3GHZDP90S-45-V2 CAD Drawing

