

615 MHz-960 MHz, 1710 MHz-2700 MHz 5G
V-pol Black Omni Antenna 3.5 dBi IP67 Outdoor
Rated Black Type N Male Connector

KP-600SPOMNI-3-NM



Features

- Type N Male Connector
- Black Omni for Indoor or Outdoor
- IP67 Weatherproof for all Environments
- 0 to 3 dBi Gain

Applications

- 4G & 5G Networks, Public or Private
- 600, 700, 850, 900, 1800, 1900, 2100, 2600 MHz
- IoT, Cellular, Zigbee, Z-Wave, Bluetooth

Description

The KP Performance KP-600SPOMNI-3-NM 5G Omnidirectional Black Antenna is a high performance, compact and lightweight antenna with same day shipping. This omnidirectional antenna is designed for the 600 MHz to 2700 MHz bands and is IP67 rated for tough weather. It features a brass N Type male connector. The N male connector allows it to be mounted directly to a radio or terminal without a jumper or adaptor. The KP-600SPOMNI-3-NM from KP Performance is a coaxial sleeve design with an omni-directional pattern. It is ideally suited for 4G, 5G, LTE and other sub 6 GHz Cellular bands in both private and public networks.

5G black N male omnidirectional KP-600SPOMNI-3-NM is a rigid antenna providing broad coverage and 0 to 3.5 dBi gain. It is suitable as for any network using sub 6 GHz 5G bands including 600, 700, 800, 850, 900, 1800, 1900, 2100, 2300 and 2600 MHz bands. The KP-600SPOMNI-3-NM is painted black to blend in with industrial backgrounds.

KP's 5G Cellular antennas, just like our wide selection of superior quality antennas, ship same day. Contact our knowledgeable and friendly KP Performance technical support and sales staff for your answers on our antennas.

Configuration

Design	Portable
Band Type	Multi
Radiation Pattern	Omni Directional
Wavelength	4-Jan
Polarization	Vertical
Connector Type	N Male

Electrical Specifications

Description	Minimum	Typical	Maximum	Units
Frequency Range	615		2.7	MHz
Input VSWR			3:01	
Impedance		50		Ohms
Gain		3		dBi
Gain	2			dBi

Specifications by Band

Click the following link (or enter part number in "SEARCH" on website) to obtain additional part information including price, inventory and certifications:
[615 MHz-960 MHz, 1710 MHz-2700 MHz 5G V-pol Black Omni Antenna 3.5 dBi IP67 Outdoor Rated Black Type N Male Connector KP-600SPOMNI-](#)

615 MHz-960 MHz, 1710 MHz-2700 MHz 5G
V-pol Black Omni Antenna 3.5 dBi IP67 Outdoor
Rated Black Type N Male Connector



KP-600SPOMNI-3-NM

Description	Band 1	Band 2	Band 3	Band 4	Band 5	Units
Range	615-960	1,710-2,700				MHz
Gain	2	3				dBi

Mechanical Specifications

Radome Material	ABS
Height	7.36 in [186.94 mm]
Weight	5 lbs [2.27 kg]

Connectors

Description	Connector 1	Connector 2	Connector 3
A	B	C	D
Body Material and Plating	Brass		

Environmental Specifications

Temperature	
Operating Range	-20 to +65 deg C
Storage Range	-20 to +65 deg C
Environment	IP67

Compliance Certifications (see [product page](#) for current document)

Plotted and Other Data

Notes:

Click the following link (or enter part number in "SEARCH" on website) to obtain additional part information including price, inventory and certifications:
[615 MHz-960 MHz, 1710 MHz-2700 MHz 5G V-pol Black Omni Antenna 3.5 dBi IP67 Outdoor Rated Black Type N Male Connector KP-600SPOMNI-](#)

615 MHz-960 MHz, 1710 MHz-2700 MHz 5G
V-pol Black Omni Antenna 3.5 dBi IP67 Outdoor
Rated Black Type N Male Connector

KP-600SPOMNI-3-NM



Appendix

Electrical Downtilt: Angle in the antenna's elevation pattern in which the maximum gain occurs.

Gain: Antenna's average gain.

Front to Back Ratio @ 180°±30°: Average difference between the antenna's maximum gain and the maximum gain in the antenna's back lobe over ±30° angles.

Cross-polarization Ratio (dB): Typical difference between the co-polarization and cross-polarization gain across the sector's 3 dB Beam Width.

Dedicated to serving the needs of the Wireless Internet Service Provider (WISP) market, KP Performance Antennas offers purpose built products that reliably perform in the field. KP Performance Antennas product line consists of Yagi, Grid, Omni, Dish and other style antennas that operate in the 900 MHz, 2.4 GHz, 3 GHz, and 5 GHz frequencies.

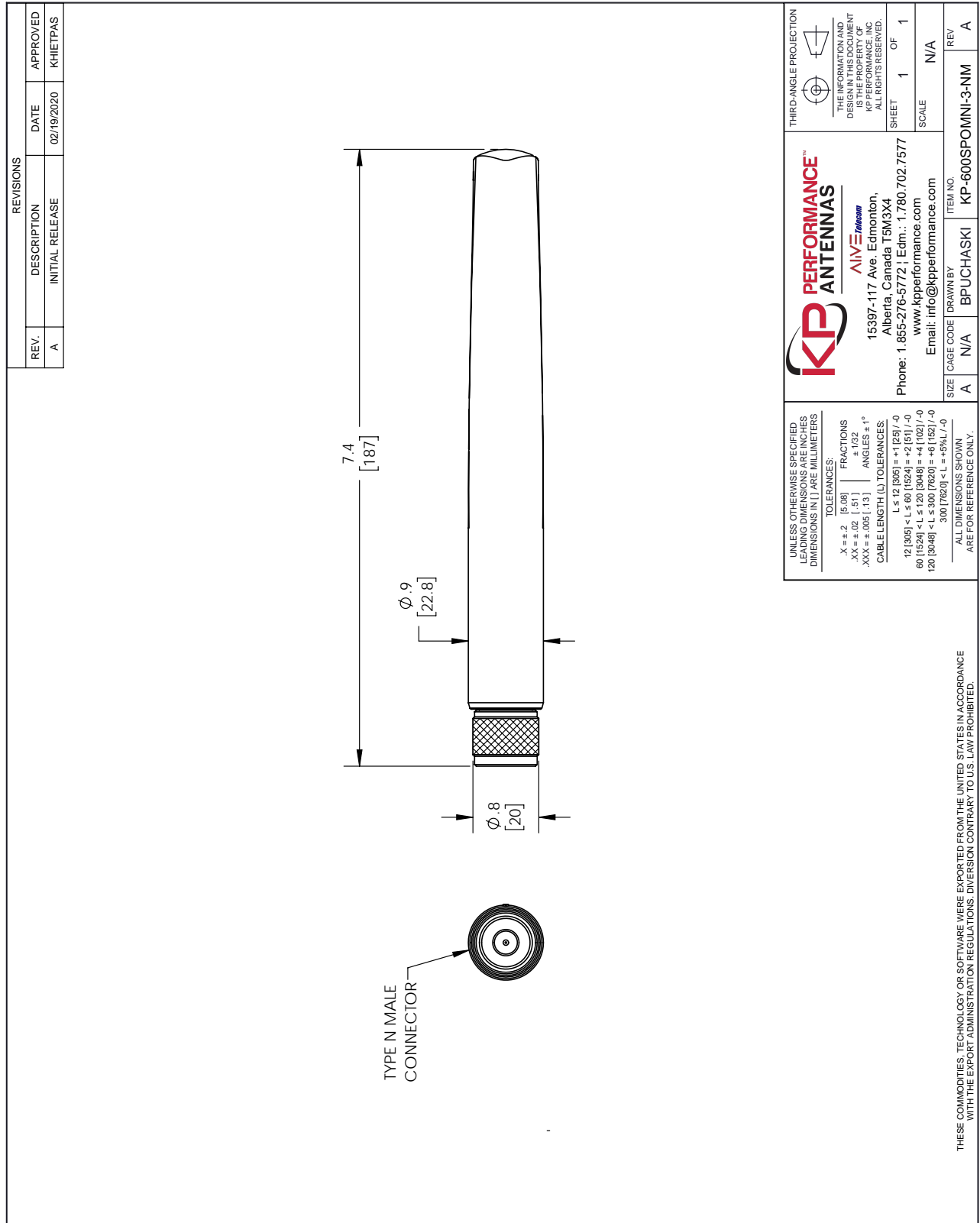
Click the following link (or enter part number in "SEARCH" on website) to obtain additional part information including price, inventory and certifications: [615 MHz-960 MHz, 1710 MHz-2700 MHz 5G V-pol Black Omni Antenna 3.5 dBi IP67 Outdoor Rated Black Type N Male Connector KP-600SPOMNI-3-NM](https://www.kpperformance.com/617mhz-2700mhz-5G-black-omni-n-male-connector-kp-600spomni-3-nm-p.aspx)

URL: <https://www.kpperformance.com/617mhz-2700mhz-5G-black-omni-n-male-connector-kp-600spomni-3-nm-p.aspx>

The information contained within this document is accurate to the best of our knowledge and representative of the part described herein. It may be necessary to make modifications to the part and/or the documentation of the part in order to implement improvements. KP Performance reserves the right to make such changes as required. Unless otherwise stated, all specifications are nominal. KP Performance does not make any representation or warranty regarding the suitability of the part described herein for any particular purpose, and KP Performance does not assume liability arising out of the use of any part or document.

615 MHz-960 MHz, 1710 MHz-2700 MHz 5G V-pol Black Omni Antenna
 3.5 dBi IP67 Outdoor Rated Black Type N Male Connector

KP-600SPOMNI-3-NM CAD Drawing



KP PERFORMANCE™
ANTENNAS
 A LIVE Telecom
 15397-117 Ave. Edmonton,
 Alberta, Canada T5M3X4
 Phone: 1.855-276-5772 | Edm.: 1.780.702.7577
 www.kpperformance.com
 Email: info@kpperformance.com

UNLESS OTHERWISE SPECIFIED LEADING DIMENSIONS ARE IN INCHES DIMENSIONS IN [] ARE IN MILLIMETERS

TOLERANCES:
 .X = ±.2 [5.08] FRACTIONS ± 1/32
 .XX = ±.02 [.51] ANGLES ± 1°
 .XXX = ±.005 [.13]

CABLE LENGTH (L) TOLERANCES:
 L ≤ 12 [305] = +1 [25] / -0
 12 [305] < L ≤ 60 [1524] = +4 [102] / -0
 60 [1524] < L ≤ 120 [3048] = +6 [152] / -0
 120 [3048] < L ≤ 300 [7620] = +6 [152] / -0
 300 [7620] < L = +5% / L -0

ALL DIMENSIONS SHOWN ARE FOR REFERENCE ONLY.

SIZE A N/A CAGE CODE N/A DRAWN BY BPUCHASKI