



2.4 GHz, 15 dBi, Omni Antenna with N-Female Connector

Antennas Technical Data Sheet

KP-24-SPOMA-15-NF

Features

- Heavy-Duty Steel Mounting Brackets
- Center Fed Collinear Array
- Commercial Grade Antenna
- Integral N-Female Connector
- Solid Brass Elements

Applications

- 2.4 GHz ISM Band
- Bluetooth® & Public Wireless Hotspots
- Supports IEEE 802.11b/g/n Applications
- WiFi and 2.4 GHz Wireless Video Systems

Description

The KP Performance Antenna KP-24-SPOMA-15-NF with N-female connectors is a professional grade omnidirectional antenna for commercial installations. The antenna features high gain and superior VSWR. The unit is optimized for the 2.4GHz ISM band.

The 2.4 GHz KP-24-SPOMA-15-NF is a collinear Omni-Directional antenna that utilizes a center fed collinear Dipole array, this antenna offers superior performance over the traditional bottom fed collinear designs. In the KP-24-SPOMA-15-NF from KP Performance Antenna, an internal copper hard-line provides a low loss path to the antenna's central splitting and phasing component. The brass radiating elements of the KP-24-SPOMA-15-NF omnidirectional antenna utilize an air dielectric for lowest loss and superior radiating efficiency. The design is factory tuned for superior performance.

The KP-24-SPOMA-15-NF omnidirectional antenna's construction features a fiberglass radome for durability and aesthetics. Its mounting system features twin heavy-duty mounting brackets and U-Bolts for superior strength. The thick brass elements provide long life in hostile environments. In addition to shipping the same day, our omnidirectional antennas are high-quality components backed by expert technical support and sales personnel.

Configuration

Design	Omni
Frequency Range	2.4 to 2.5 GHz
Polarization	Vertical
Connector Type	N Female
Number of Ports	1
Lightning Protection	DC Short

Electrical Specifications

Description	Minimum	Typical	Maximum	Units
Impedance		50		Ohms
Gain Nominal		15		dBi
Horizontal (Azimuth) Beam Width		360		Degrees
Vertical (Elevation) Beam Width		8		Degrees
Input Power			100	Watts

Click the following link (or enter part number in "SEARCH" on website) to obtain additional part information including price, inventory and certifications: [2.4 GHz, 15 dBi, Omni Antenna with N-Female Connector KP-24-SPOMA-15-NF](#)



2.4 GHz, 15 dBi, Omni Antenna with N-Female Connector

Antennas Technical Data Sheet

KP-24-SPOMA-15-NF

VSWR

1.5:1

Mechanical Specifications

Radome Material: Fiberglass

Size

Length: 40.5 in [102.87 cm]

Weight: 3.3 lbs [1.5 kg]

Mounting

Mount Type

Mast

Mounting Mast Diameter

2 in [50.80 mm]

Mechanical Specification Notes:

Environmental Specifications

Temperature

Operating Range

-40 to +85 deg C

Wind Survivability

150 MPH [241.4 KPH]

Compliance Certifications (see [product page](#) for current document)

Plotted and Other Data

Notes:

Dedicated to serving the needs of the Wireless Internet Service Provider (WISP) market, KP Performance Antennas offers purpose built products that reliably perform in the field. KP Performance Antennas product line consists of Yagi, Grid, Omni, Dish and other style antennas that operate in the 900 MHz, 2.4 GHz, 3 GHz, and 5 GHz frequencies.

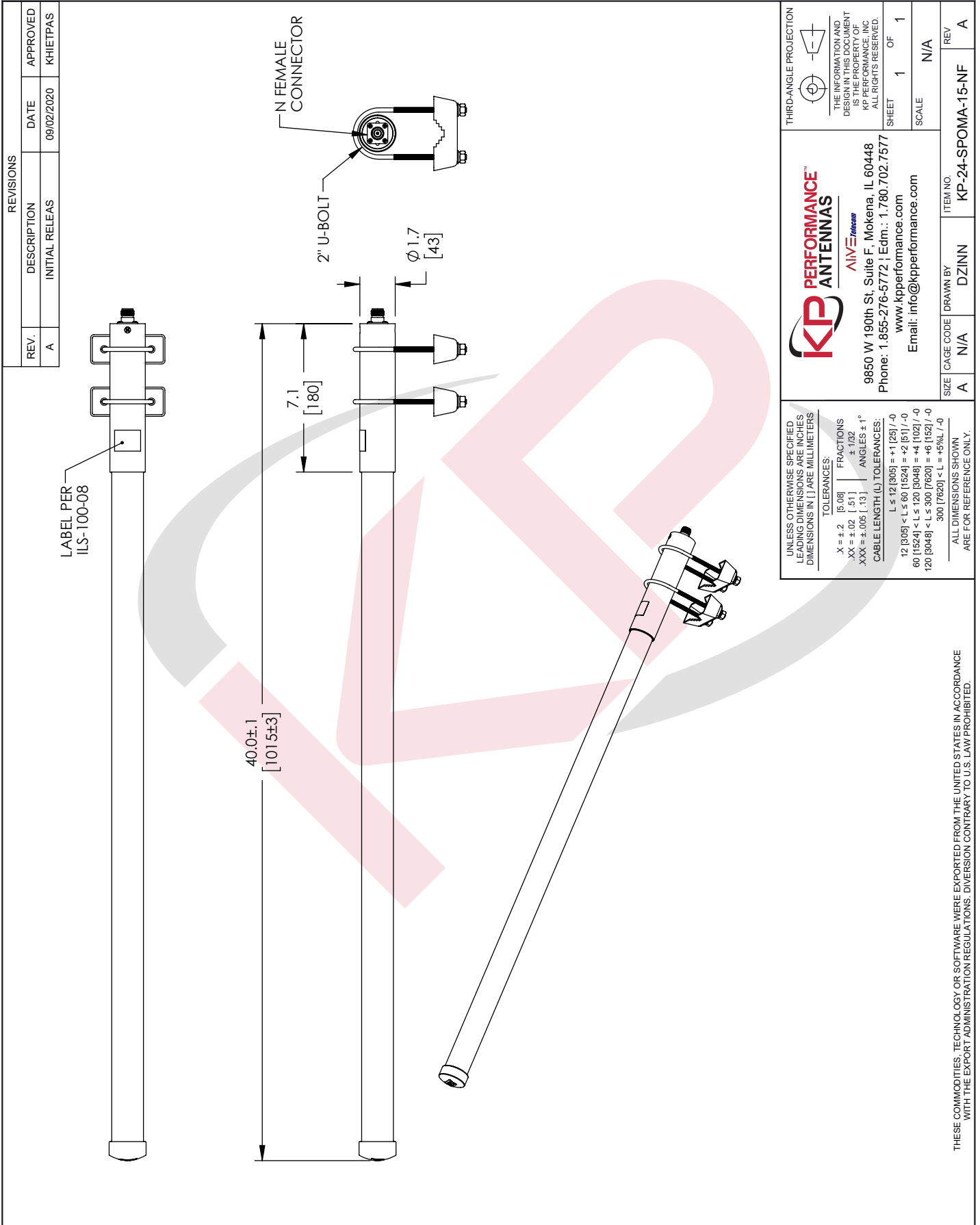
Click the following link (or enter part number in "SEARCH" on website) to obtain additional part information including price, inventory and certifications: [2.4 GHz, 15 dBi, Omni Antenna with N-Female Connector KP-24-SPOMA-15-NF](#)

URL: <https://www.kpperformance.com/2-4ghz-15dbi-omni-antenna-n-female-connector-kp-24-spoma15-nf-p.aspx>

The information contained in this document is accurate to the best of our knowledge and representative of the part described herein. It may be necessary to make modifications to the part and/or the documentation of the part, in order to implement improvements. KP Performance reserves the right to make such changes as required. Unless otherwise stated, all specifications are nominal. KP Performance does not make any representation or warranty regarding the suitability of the part described herein for any particular purpose, and KP Performance does not assume any liability arising out of the use of any part or documentation.

KP-24-SPOMA-15-NF CAD Drawing

2.4 GHz, 15 dBi, Omni Antenna with N-Female Connector



REVISIONS			
REV.	DESCRIPTION	DATE	APPROVED
A	INITIAL RELEASE	09/02/2020	KHIETPAS

<p>UNLESS OTHERWISE SPECIFIED LEADING DIMENSIONS ARE INCHES DIMENSIONS IN [] ARE MILLIMETERS</p> <p>TOLERANCES:</p> <p>X = ± 2 [5.08] FRACTIONS XX = ± 0.02 [.51] +.132 XXX = ± 0.05 [.13] ANGLES ± 1°</p> <p>CABLE LENGTH (L) TOLERANCES:</p> <p>L ≤ 12 [305] = +1 [25] / -0 12 [305] < L ≤ 60 [1524] = +2 [51] / -0 60 [1524] < L ≤ 120 [3048] = +4 [102] / -0 120 [3048] < L ≤ 300 [7620] = +8 [152] / -0 300 [7620] < L = +5% / -0</p> <p>ALL DIMENSIONS SHOWN ARE FOR REFERENCE ONLY.</p>	<p>THIRD-ANGLE PROJECTION</p> <p>THE INFORMATION AND DESIGN IN THIS DOCUMENT IS THE PROPERTY OF KP PERFORMANCE, INC. ALL RIGHTS RESERVED.</p> <p>SHEET 1 OF 1</p> <p>SCALE N/A</p>
<p>SIZE A CAGE CODE N/A DRAWN BY DZINN</p>	<p>ITEM NO. KP-24-SPOMA-15-NF</p> <p>REV. A</p>

THESE COMMODITIES, TECHNOLOGY OR SOFTWARE WERE EXPORTED FROM THE UNITED STATES IN ACCORDANCE WITH THE EXPORT ADMINISTRATION REGULATIONS. DIVERSION CONTRARY TO U.S. LAW PROHIBITED.